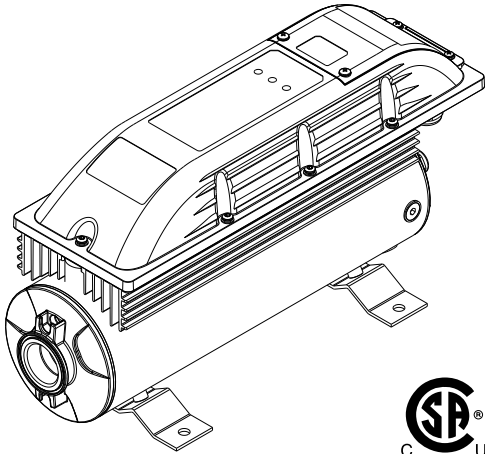




**Franklin Electric**

# INLINE CONSTANT PRESSURE SYSTEM OWNER'S MANUAL



## **BEFORE YOU START**

**BEFORE INSTALLING PUMP, BE SURE TO READ THIS OWNER'S MANUAL CAREFULLY.**

**REFER TO PRODUCT DATA PLATE(S) FOR ADDITIONAL OPERATING INSTRUCTIONS AND SPECIFICATIONS.**

### **CAUTION**

Keep work area clean, well-lit and uncluttered.

Keep safety labels clean and in good condition.

Wear safety glasses while installing or performing maintenance on pump.

Adhere to the guidelines of the National Electric Code (NEC) or Canadian Electric Code (CEC), and any other state and local codes for ALL electrical installations. Check with the appropriate agencies or contact a licensed electrician.

Adhere to the guidelines of national, state and local plumbing codes when installing this product. Check with the appropriate agencies or water system professional for additional information.

Most water system problems result from improper installation. It is suggested that you read this manual carefully before installing your pump.

The "TROUBLESHOOTING SECTION" will assist you in locating and eliminating the cause of any trouble you may encounter after installation. Check and make available all the tools you will need to install your pump. Required tooling may include wrenches, pipe sealant, pipe fittings and nipples, screwdriver, etc. Be sure to have available proper and adequate wiring material to complete the installation correctly.

## **ATTENTION!**


### **IMPORTANT INFORMATION FOR INSTALLERS OF THIS EQUIPMENT!**

*THIS EQUIPMENT IS INTENDED FOR INSTALLATION BY TECHNICALLY QUALIFIED PERSONNEL. FAILURE TO INSTALL IT IN COMPLIANCE WITH NATIONAL AND LOCAL ELECTRICAL CODES, AND WITHIN FRANKLIN ELECTRIC RECOMMENDATIONS, MAY RESULT IN ELECTRICAL SHOCK OR FIRE HAZARD, UNSATISFACTORY PERFORMANCE, AND EQUIPMENT FAILURE. FRANKLIN INSTALLATION INFORMATION IS AVAILABLE FROM PUMP MANUFACTURERS AND DISTRIBUTORS, AND DIRECTLY FROM FRANKLIN ELECTRIC. CALL FRANKLIN TOLL FREE 800-348-2420 FOR INFORMATION.*

### **WARNING**

*SERIOUS OR FATAL ELECTRICAL SHOCK MAY RESULT FROM FAILURE TO CONNECT THE INLINE SYSTEM, METAL PLUMBING, AND ALL OTHER METAL NEAR THE INLINE SYSTEM OR CABLE, TO THE POWER SUPPLY GROUND TERMINAL USING WIRE NO SMALLER THAN MOTOR CABLE WIRES. TO REDUCE RISK OF ELECTRICAL SHOCK, DISCONNECT POWER BEFORE WORKING ON OR AROUND THE WATER SYSTEM. DO NOT USE INLINE SYSTEM IN SWIMMING AREAS.*

## **READ AND FOLLOW SAFETY INSTRUCTIONS**

This is the safety alert symbol. When you see this  symbol on your pump or in this manual, look for one of the following signal words and be alert to the potential for personal injury:

**DANGER** warns about hazards that **will** cause serious personal injury, death or major property damage if ignored.

**WARNING** warns about hazards that **can** cause serious personal injury, death or major property damage if ignored.



**CAUTION** warns about hazards that **will** or **can** cause minor personal injury or major property damage if ignored.



**NOTICE** indicates special instructions which are important but not related to hazards. Carefully read and follow all safety instructions in this manual and on pump.

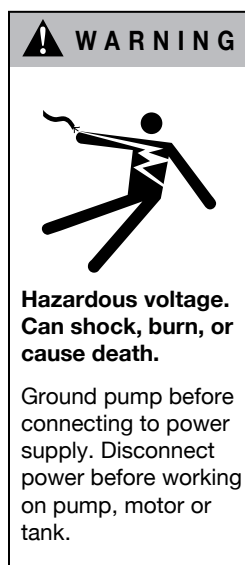
**⚠ WARNING HAZARDOUS PRESSURE:** Do not run pump against closed discharge. Release all system pressure before working on any component.

**⚠ CAUTION** Do not run pump dry. Fill pump with water before starting or pump will be damaged.

This Inline Constant Pressure System is guaranteed by the manufacturer. In the event of a product failure, it must be returned to an authorized water system professional for repairs. Warranty is void if repairs are not made by an authorized technician.

## **ELECTRICAL SAFETY**

**⚠ CAUTION** Make sure all ELECTRICAL POWER IS OFF before connecting any electrical wires.



**⚠ Wire Inline System for correct voltage. See “Electrical Installation” section of this manual and Inline System nameplate.**

**⚠ Connect power supply ground to ground terminal in wiring compartment before connecting power supply.**

**⚠ Meet National Electrical Code (NEC) or Canadian Electrical Code (CEC) and local codes for all wiring.**

**⚠ Follow all pump wiring instructions provided in this manual.**

**⚠ CAUTION DO NOT touch an operating drive. The surface of the drive may be HOT. Allow the drive to cool for thirty (30) minutes before handling.**

**⚠ Suitable for use on a circuit capable of delivering not more than 5000 RMS symmetric amperes, 260 volt maximum.**

**⚠ The output connector on the drive is only intended for use with the motor specified in the Replacement Parts section of this manual.**

**⚠ Integral solid state short circuit protection does not provide branch circuit protection. Branch circuit protection must be provided in accordance with the National Electric Code or Canadian Electric Code and local codes.**

## **GENERAL SAFETY**

The Franklin Electric Inline System is designed and built with a NEMA 4 approved drive enclosure to protect the pump’s electronic components.

## **INLINE SYSTEM KEY FEATURES**

### **SYSTEM FEATURES:**

- Constant water pressure with a wide range of settings. (10-80 psi, 0.7 - 5.5 bar)
- Pump speed is controlled to provide the optimum performance without overloading the motor
- Product Power Rating: 1.2 hp (0.9 kW)
- Low current motor start-up (soft-starting)
- Quiet operation
- Single pump/motor/drive controller design
- Compact footprint, 19 in x 8 in (480 mm x 200 mm)
- Shipping weight: 50 lbs (22.7 kg)

### **PUMP FEATURES:**

- Operates on a wide range of flows from flooded suction to 35 GPM (135 LPM)
- Requires minimum incoming pressure of 3 PSI (0.2 bar) Exception: Cisterns may be flooded suction without vortexing
- Increases incoming pressure by up to 60 PSI (4.1 bar)
- Stainless steel construction for all wetted surfaces

### **DRIVE CONTROLLER PROTECTION FEATURES:**

- No in-rush (power-on transient) current
- Over pressure shut off optional (See Replacement Parts Section)
- Low water shut off
- Locked pump detection/shut off
- High voltage/lightning surge protection
- Low line voltage protection
- Motor under and overload protection
- Open and short circuit protection
- NEMA 4 enclosure

## **INSPECT YOUR SHIPMENT**

All Franklin Electric Inline Systems are carefully tested, inspected, and packaged to insure their arrival in perfect condition. When the pump is received, examine it closely to make sure there is no damage that may have occurred in shipping. If damage is evident, report this immediately to your shipping carrier and product dealer. The shipping carrier assumes full responsibility for the shipment’s safe arrival. Any claim for damage to the shipment, either visible or concealed, must be made through the shipping carrier first.

### **PACKAGE INCLUDES:**

- Inline 1100 Constant Pressure System pump and controller unit
- Pressure sensor and boot
- Sensor adjustment tool
- Installation manual

## **CONSTANT PRESSURE INTRODUCTION**

The Franklin Electric Inline System provides consistent water pressure regulation using advanced electronics to drive the pump/motor according to the system's real-time demand. The water pressure demand is under constant monitoring through a highly accurate, heavy-duty, long-life pressure sensor, which is included with and wired into the system at the time of installation. By adjusting the pump/motor speed, the Inline System automatically reacts to any change in system demand while maintaining a constant output pressure. The Inline System's constant output pressure should not fluctuate more than a PSI or two, even though the overall system's water flow requirement may change dramatically. For example, a small demand on the system, such as a bathroom faucet, results in the motor/pump running at its lowest speed. As greater demands are placed on the system, such as opening additional faucets or using appliances, the speed increases accordingly to maintain the desired system pressure.

## **SYSTEM DIAGNOSTICS**

In addition to regulating pump pressure and accurately controlling motor operation, the Inline System continuously monitors system performance and can detect a variety of abnormal conditions. In many cases, the controller will compensate as needed to maintain continuous system operation. But if there is high risk of equipment damage, the controller will protect the system by shutting itself down. To help identify that there is a problem with the system (which includes incoming water and electricity from the utility company) the Inline System will display that there is a fault condition. See Troubleshooting Section for fault codes. If possible, the controller will try to restart when the fault condition subsides.

## **INSTALLATION**

### **LOCATION OF THE INLINE CONSTANT PRESSURE SYSTEM**

Decide on a location for the pump installation that is suitable based on the enclosure rating of the Inline System.

**⚠WARNING** Liquid tight conduit and fittings must be used to maintain NEMA 4 rating.

Choose a clean, well-ventilated location that provides protection from freezing, flooding, and excessive heat. In addition, it should provide access for servicing and allow convenient draining of the pump, tank, and service pipes. A prepared foundation is not essential, provided the surface is hard and level. It can be mounted in any orientation depending on the space available.

**NOTICE:** installation in direct sunlight can reduce system power and reduce drive life.

### **PLUMBING, PIPING AND HOSES**

In general, keep the suction and discharge lines as large

as possible. Avoid using bends, elbows and fittings whenever possible. All suction connections must be airtight, so use pipe compound on all threaded joints. Use a suction strainer when applicable to prevent solids and foreign matter from being drawn into the pump.

### **FLOW CAPACITY BY PIPE SIZE**

The minimum supply pipe diameter should be selected not to exceed a maximum water velocity of 8 ft/sec (2.4 m/s). Use the table below for selection of the proper supply pipe size.

Minimum Pipe Diameter	Maximum Flow rate GPM
1/2"	4.9 (18.5 LPM)
3/4"	11.0 (41.6 LPM)
1"	19.6 (74.2 LPM)
1-1/4"	30.6 (116 LPM)
1-1/2"	44.1 (167 LPM)

### **WATER SUPPLY REQUIREMENT**

The Inline System is not designed to draw/lift water from a source below the pumping unit. There is not an incoming flow requirement, other than that the system needs to be supplied with a constant supply of water to keep the unit completely full of water at all times. It is recommended that the system be supplied with inlet line  $\frac{3}{4}$ " diameter or larger.

### **INCOMING PRESSURE REQUIREMENT**

The Inline System is designed to operate at minimum incoming pressures as low as 3 PSI (0.2 bar). When used on a cistern the incoming pressure requirement is waived; but a water level must be maintained in the cistern to prevent a vortex from forming.

### **SUCTION PIPING**

When the pump is located at a distance from the water source, the suction piping may have to be increased in diameter to reduce friction loss. The friction loss in a system increases:

- 1.) As the flow rate increases
- 2.) As the piping size decreases

Refer to the included Inline System's performance tables (Appendix 1) and friction loss tables (Appendix 2) to determine the amount of head lost for a given application.

### **DISCHARGE PIPE SIZES FOR INSTALLATION**

When the pump is located at a distance from points of water use, it is necessary to increase the discharge pipe size in order to reduce friction loss. The friction loss in a system increases:

- 1.) As the flow rate increases
- 2.) As the piping size decreases

Refer to the included Inline System's performance tables (Appendix 1) and friction loss tables (Appendix 2) to determine the amount of head lost for a given application.

## PRESSURE TANK

System Pressure (at Pressure Sensor)	Pressure Tank Setting ( $\pm 2$ PSI)
25	18
30	21
35	25
40	28
45	32
50 Factory Setting	35
55	39
60	42
65	46
70	49
75	53
80	56

**NOTE:** 1 PSI = 0.068 bar

The Inline System needs a small pressure tank placed on the pump outlet to maintain constant pressure. The tank supplies water while the pump ramps up to speed and in circumstances where only a small amount of water is required for a short period of time. In addition, the tank prevents water hammer by acting as a system buffer. This buffer also helps to prevent pressure spikes when there is a sudden change in demand.

For 12 gpm (45 LPM) flow or greater, minimum pressure tank size is 4 gallons (15 L); for 12 gpm (45 LPM) flow, minimum pressure tank size is 2 gallons (7.5 L).

### Pressure Tank Pre-charge (PSI)

The pressure tank pre-charge setting should be 70% of the system pressure sensor setting as indicated in the preceding table.

**NOTE:** Check tank pre-charge regularly to maintain optimum pressure regulation.

## INSTALLATION

**NOTICE: READ AND FOLLOW ALL INSTRUCTIONS.**

**⚠ WARNING** Hazardous voltage can shock, burn or cause death.

**⚠ CAUTION** Improper wiring can result in permanent damage to the system. Pump connection must comply with National Electric Code (NEC) or Canadian Electric Code (CEC), and all applicable local codes.

**⚠ CAUTION** If you are not sure of the proper electrical connections, employ a competent electrician for the installation. This ensures the installation complies with all noted electrical codes.

**⚠** Disconnect power at electrical panel before making any electrical connections. Supply voltage must be +/- 10% of Inline System nameplate voltage (230V).

Low or high voltage can damage the Inline System and will void the warranty. Connect pump to dedicated branch circuit with no other appliances on it.

**⚠** Do not operate pump unless pump is grounded.

**⚠** A fused disconnect switch or circuit breaker should be placed at or near the pump as required by local electrical codes.

## INSTALLATION PROCEDURE PLUMBING

1. Disconnect electrical power at the main breaker.
2. Drain the system (if applicable).
3. Mount the Inline System in the desired location using mounting screws. Screw locations are shown in **FIGURE 1**. The Inline System may be installed in any orientation.
4. Install inlet and outlet plumbing and pressure tank as shown in **FIGURE 2**. A check valve must be installed in the inlet and outlet plumbing. The outlet check valve should be between the pump and the pressure tank to prevent the possibility of backflow in to public water systems, and to ensure proper system operation. The inlet check valve should be used when no other backflow prevention device is present. This inlet check valve should be installed before the optional bypass loop if that plumbing is used. Be sure to check all local plumbing codes to ensure that all requirements pertaining to backflow prevention are met.
5. Install the pressure sensors at the pressure tank tee downstream of the pressure tank. (The pressure tank should be between the pressure sensor and the pump.) The pressure sensor has a 1/4-18 National Pipe Thread (NPT) connection. The pressure sensor should not be installed in an inverted orientation (upside down). Make sure the pressure sensor and tank are not located more than 5 feet off the main piping.
6. Install a pressure relief valve downstream of the check valve. The discharge must be plumbed to a drain rated for maximum pump output at relief pressure setting.

**⚠ WARNING** Inline systems can develop very high pressure in some situations. Always install a pressure relief valve able to pass full pump flow at 100 PSI (6.9 bar). Install the pressure relief valve near the pressure tank.

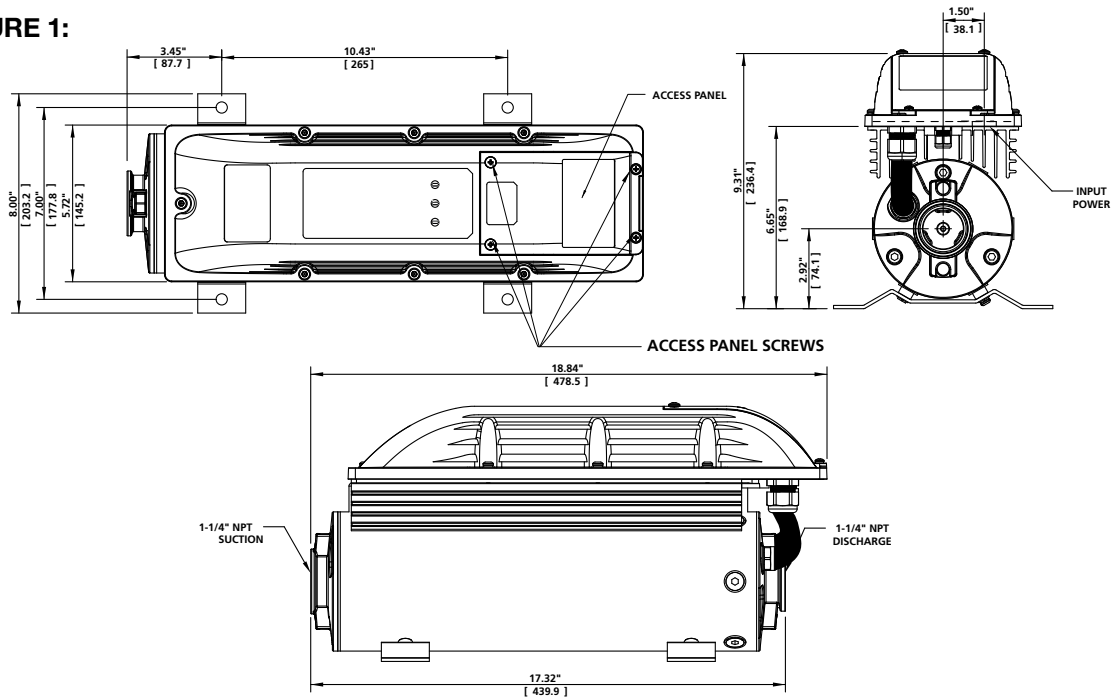
### ⚠ WARNING

Serious or fatal electric shock may result from failure to connect the Inline System to the service entrance ground. Also ground metal plumbing and all other metal near the Inline System. When grounding these components, use a wire no smaller than the power supply wires from the circuit breaker to the Inline System. To reduce the risk of electric shock, disconnect power before working on or around the water system.

CAPACITORS INSIDE THE INLINE SYSTEM CONTROLLER CAN STILL HOLD LETHAL VOLTAGE EVEN AFTER POWER HAS BEEN DISCONNECTED. ALLOW 5 MINUTES FOR DANGEROUS INTERNAL VOLTAGE TO DISCHARGE BEFORE REMOVING ACCESS PANEL.

This pump has not been investigated for use in swimming pool or marine areas.

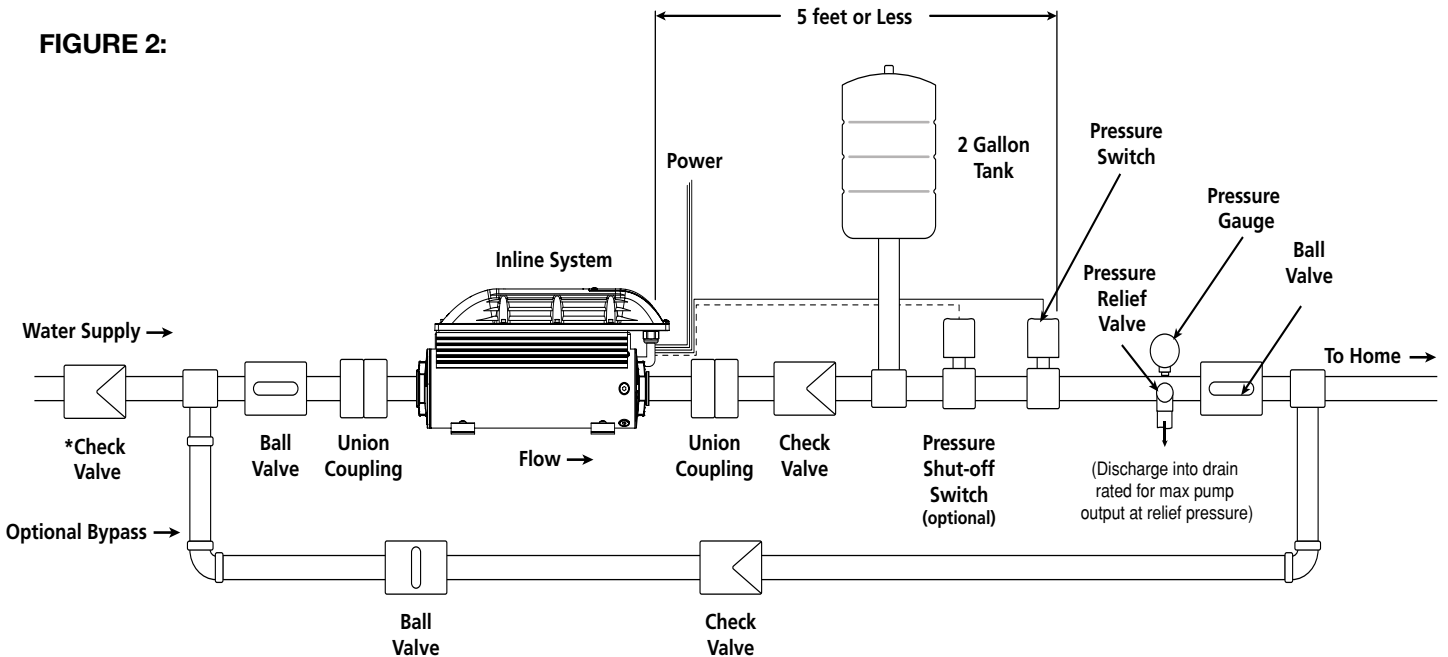
**FIGURE 1:**



**TYPICAL INSTALLATION**

The Inline System is designed to both increase a system's incoming pressure, and to provide the system with constant pressure across all outlets. See **FIGURE 2** for a graphical representation of what a typical installation may look like.

**FIGURE 2:**



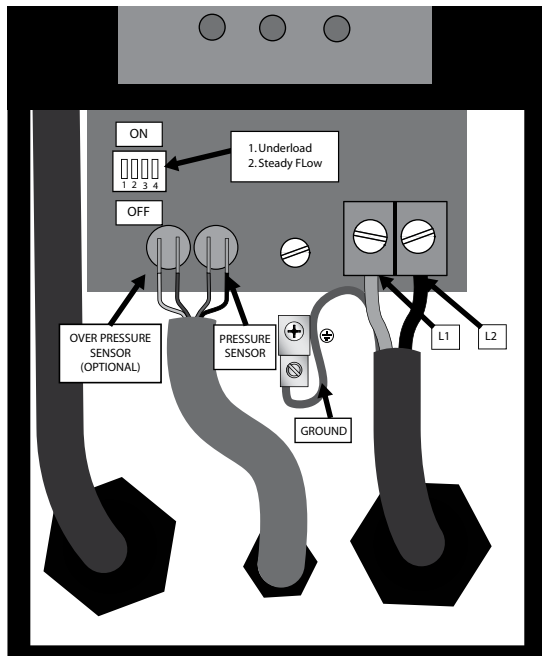
**\*NOTICE:** If system plumbing does not have a backflow prevention device, a check valve is required on the incoming water supply line.

**NOTE:** These optional components are shown in a typical installation diagram. They should be used at the installer's discretion as required for particular applications.

## INSTALLATION PROCEDURE WIRING

1. Disconnect electrical power at the main breaker.
2. Verify that the dedicated branch circuit for the Inline System is equipped with a 15 amp circuit breaker.
3. Remove the access panel of the Inline System by removing the four access panel screws as shown in **FIGURE 1**.
4. For your convenience the pressure sensor has been pre-wired inside the unit. The red and black wires are attached to the pressure sensor inputs and the white and green wires are connected to the pressure shut-off sensor input (optional). See **FIGURES 3 AND 4** showing the sensor connections.
5. If mounting or in wet environments, a liquid tight conduit fitting and liquid tight conduit are required (not supplied) to ensure that the enclosure maintains a water tight, NEMA 4 rating. Install the liquid tight conduit fitting into the conduit hole in front of the L1, L2 line connector. (**FIGURE 3**)

**FIGURE 3:**



**WARNING** Liquid tight conduit and fittings must be used to maintain NEMA 4 rating.

6. Route supply wires through the conduit fitting into the wiring chamber.
7. Connect the supply ground wire to the ground lug in the wiring compartment.

**NOTICE:** The safety earth ground connection is marked at its terminal using the  $\oplus$ .

8. Connect the supply 230V wires to the screw terminal marked L1 and L2. Supply should be 60°C (140°F)/75°C (167°F) copper wires and the terminals should be tightened to a torque of 12 in-lbs (1.35 Nm).

9. Replace the access panel and tighten the four lid screws. For proper sealing, the lid screws should be

tightened to a torque of 10 in-lbs (1.13 Nm).

10. Set the pressure tank pre-charge at 70% of the desired water pressure setting. To check the tank's pre-charge, de-pressurize the water system by opening a tap. Measure the tank pre-charge with a pressure gauge at its inflation valve and make the necessary adjustments.

## OPERATION

### RATINGS

**CAUTION** Maximum operating pressure should be limited to whatever level is needed to protect the rest of the existing system plumbing. When required, a pressure relief valve should be installed, and/or the optional over pressure sensor can be used.

Maximum suction pressure is 70 psi (4.8 bar). Maximum water temperature is 104 °F (40 °C). Avoid pumping abrasive or sandy water.

**WARNING** Hazardous Pressure: Do not run pumps against a closed discharge, or at a system operating pressure above 145 psi (10 bar).

**CAUTION** This pump has been evaluated for use with water only.

### PRIMING

Never run the pump dry. Fill the suction pipe, pump and discharge piping completely with water. A typical installation will be supplied by either a tank or a pressurized water source, creating what is known as flooded suction condition.

### STARTING

Close all system outlets, then slightly crack one system outlet to allow excess air to bleed out of the system. Start the pump. Gradually, but immediately, begin opening the discharge valve to half open. If after a few minutes of running you do not get water, repeat priming process (the pump may be locked by excess air that is trapped in the unit). Once the pump is operating, fully open the discharge valve and a system outlet, letting the pump operate until the water is running clear. No further priming should be needed unless the pump is drained or there is a leak in the suction plumbing.

### Leaky Systems

Leaky water systems might keep the controller running due to the accurate pressure sensing capability of the pressure sensor. Continuous running or starts and stops do not hurt the controller, pump or motor. However, to reduce the on-time of the controller/pump/motor, a "Bump-Mode" procedure is installed. During low flow (or leaky) conditions, this feature periodically increases the speed of the pump several psi above the set point and shuts off the pump. This adds some time to bleed off before the system starts up again.

### Pressure Drop

Although the pressure is constant at the pressure sensor, pressure drops may be noticeable in other areas of the home when additional taps are opened. This is due to

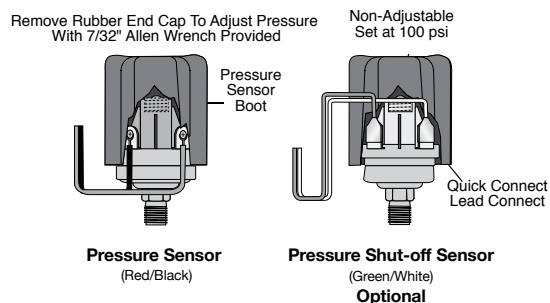
restrictions in the plumbing and will be more pronounced the farther the taps are from the pressure sensor. This would be true of any system, and if observed, should not be interpreted as a failure in the performance of the Inline Constant Pressure System.

### ADJUSTING THE PRESSURE SENSOR

The pressure sensor communicates the system pressure to the Inline Constant Pressure System. The sensor is preset at the factory to 50 psi (3.4 bar), but can be adjusted by the installer using the following procedure:

- a. Remove the rubber end-cap (**FIGURE 4**).
- b. Using a 7/32" Allen-wrench (provided), turn the adjusting screw clockwise to increase pressure and counter-clockwise to decrease pressure. The adjustment range is between 25 and 80 psi (1.7 and 5.5 bar) (1/4 turn = approximately 3 psi (0.2 bar)).
- c. Replace the rubber end cap.
- d. Cover the pressure sensor terminals with the rubber boot provided (**FIGURE 4**)

**FIGURE 4:**



### ADJUSTING PUMP SO SYSTEM DEMAND IS NOT MORE THAN SYSTEM SUPPLY

Inline Systems are typically used to increase municipal water pressure anywhere from 10 psi (0.7 bars) to 70 psi (4.8 bars) above what is being supplied by the water utility. For the pump to operate properly as it boosts the municipal water to the desired pressure, a consistent and steady flow of water is required. The system will fail prematurely if it is set to operate at a point beyond what can be supplied.

### PROCESS TO ENSURE PUMP IS RECEIVING ENOUGH WATER TO MEET DEMAND

- 1.) Install a shut-off valve in the plumbing near the discharge of the pump.
- 2.) Close the valve, but make sure that the supply water is allowed to freely flow into the pump without restriction.
- 3.) Adjust system for maximum flow demand.
- 4.) Turn on the pump, and begin opening the discharge's shut-off valve.
- 5.) Continue opening the discharge valve until a very distinct noise is heard coming from the pump. This noise is called Cavitation (which can destroy the pump over time), and will sound like there is gravel inside the pump. STOP opening the discharge valve once cavitation is heard.

6.) Slowly close the discharge valve until the cavitation is no longer heard.

7.) The pump is now adjusted so that the system demand will not exceed what can be supplied.

8.) If the supply pressure or water demand varies over time, this procedure may need to be repeated to eliminate cavitation.

### DRIVE DIP SWITCH OPTIONS

The Inline System is factory set to properly operate in most installations without needing any adjustments or changes to the DIP switch settings. If changes are required, the following is a description of what control logic changes will occur as a switch's position is changed.

**⚠ WARNING** Serious or fatal electrical shock may result from contact with internal electrical components. DO NOT, under any circumstances, attempt to modify DIP switch settings until power has been removed and 5 minutes have passed for internal voltages to discharge! Power must be removed for DIP switch setting to take effect.

### UNDERLOAD SENSITIVITY SELECTION

The Inline System controller is configured at the factory to ensure detection of underload faults in a wide variety of pumping applications. In rare cases this trip level may result in nuisance faults. If the underload switch is activated it is best to observe the system's behavior during the underload condition to be sure it will perform as expected. Once the controller begins to regulate pressure, check operation at several flow rates to make sure the default sensitivity does not induce nuisance underload trips.

If it is necessary to adjust the underload sensitivity, remove power and allow the controller to discharge. Wait 5 minutes to allow internal voltage to dissipate, locate the DIP switch bank. Use a small screwdriver (provided) to move position 1 to "ON" as shown.

### STEADY FLOW SELECTION

The Inline System is configured at the factory to ensure quick response to maintain constant pressure. In rare cases (as with a water line tap before the pressure tank), the unit may need to be adjusted to offer better control. If the unit is used on a system that has a water line tap before the pressure tank or where audible speed variations of the pump can be heard, adjusting the pressure control response time may be necessary. After enabling this feature, the installer should check flow changes for possible overshoot. A larger pressure tank and/or wider margin between regulation and valve pressure may be required as the steady flow feature reduces the controller's reaction time to sudden changes in flow.


If it is necessary to adjust the pressure control, remove power and allow the controller to discharge. Wait 5 minutes to allow internal voltage to dissipate, locate the DIP switch bank. Use a small screwdriver (provided) to move position 2 to "ON" as shown.



# MAINTENANCE

## LUBRICATION

**⚠️ WARNING**



**Hazardous voltage. Can shock, burn, or cause death.**

Ground pump before connecting to power supply. Disconnect power before working on pump, motor or tank.

The pump requires only water for lubrication and must never be run dry.

**⚠️ WARNING** Before disconnecting pump, be sure fuse box leads are disconnected or power is turned off. After reassembling the pump, refer to priming instructions before running.

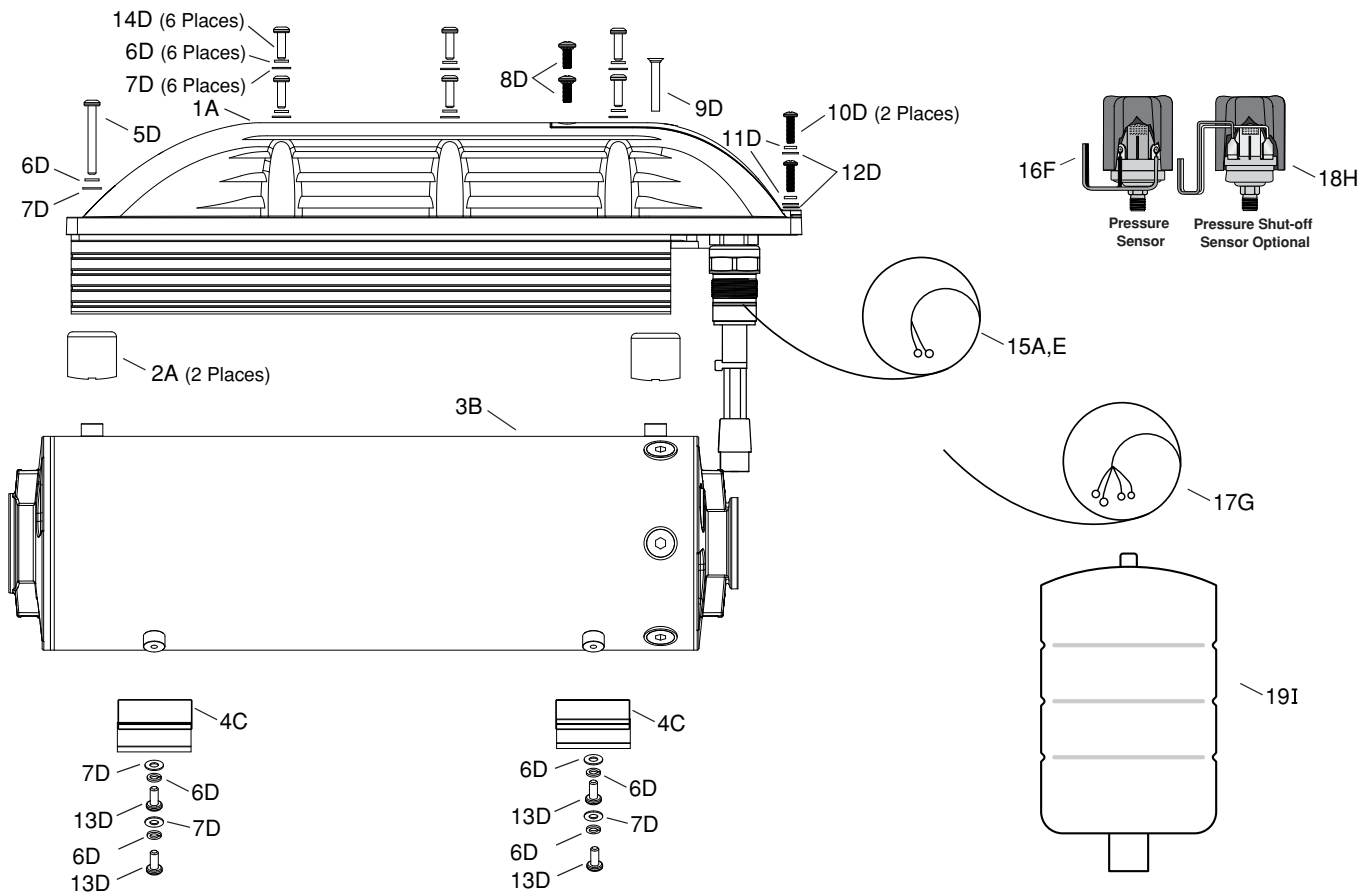
**⚠️ WARNING** Hazardous voltage can shock, burn or cause death. Disconnect power to pump before servicing unit.

### DRAINING

**NOTICE:** Disconnecting the pump will not necessarily drain all other parts of the piping system. If there are any concerns with the proper procedure or necessity of draining the suction plumbing, contact a water systems professional.

All piping and water tanks exposed to freezing weather should be drained. If there are any concerns with the proper procedure to drain the system's pressure tank, contact the tank manufacturer for assistance.

## REPLACEMENT PARTS



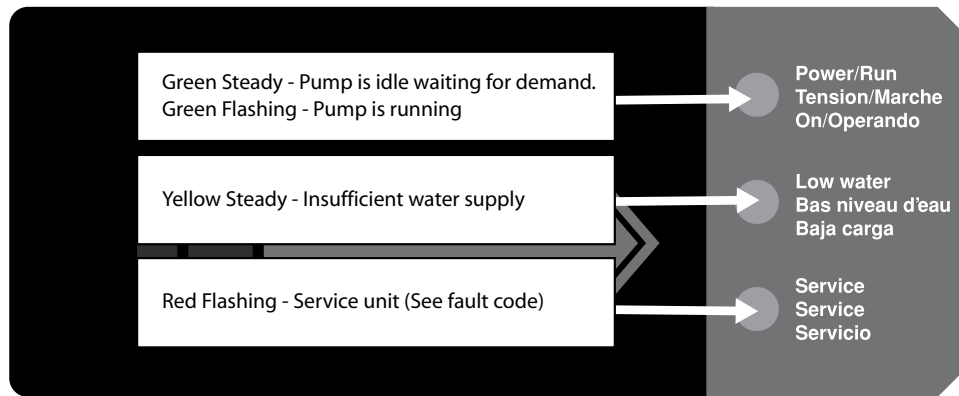
**REPLACEMENT PARTS - CONTINUED**

<b>Spare Parts Kits for Inline 1100: FE</b>			
<b>Number</b>	<b>Description</b>	<b>Kit Grouping Identifier</b>	<b>Repair Part Order Codes</b>
1	Drive Assembly	A*	305707901
2	Mounting Posts		
3	Pump Motor Assembly	B*	305707902
4	Mounting Feet	C*	305707903
5	#10-24x1.625 Pan Head Torx	D	305707904
6	#10 Lock Washer		
7	#10 Flat Washer		
8	#8-32x0.438 Pan Head Phillips Sealing		
9	#10-24x1.25 Flat Head Phillips Sealing		
10	#8-32x0.625 Pan Head Phillips		
11	#8 Lock Washer		
12	#8 Flat Washer		
13	#10-24x0.438 Pan Head Torx		
14	#10-24x0.625 Pan Head Torx		
15	Pressure Switch Cable (2 Wires)	A,E	305707905
16	Pressure Switch	F	305707906
17	Pressure Switch Cable (4 Wires)	G	305707908
18	Overpressure Switch	H	305707909
19	2 Gallon Pump Tank Kit	I	305707910

<b>Spare Parts Kits for Inline 1100: LG</b>			
<b>Number</b>	<b>Description</b>	<b>Kit Grouping Identifier</b>	<b>Repair Part Order Codes</b>
1	Drive Assembly	A*	305707907
2	Mounting Posts		
3	Pump Motor Assembly	B*	305707902
4	Mounting Feet	C*	305707903
5	#10-24x1.625 Pan Head Torx	D	305707904
6	#10 Lock Washer		
7	#10 Flat Washer		
8	#8-32x0.438 Pan Head Phillips Sealing		
9	#10-24x1.25 Flat Head Phillips Sealing		
10	#8-32x0.625 Pan Head Phillips		
11	#8 Lock Washer		
12	#8 Flat Washer		
13	#10-24x0.438 Pan Head Torx		
14	#10-24x0.625 Pan Head Torx		
15	Pressure Switch Cable (2 Wires)	A, E	305707905
16	Pressure Switch	F	305707906
17	Pressure Switch Cable (4 Wires)	G	305707908
18	Overpressure Switch	H	305707909
19	2 Gallon Pump Tank Kit	I	14942302

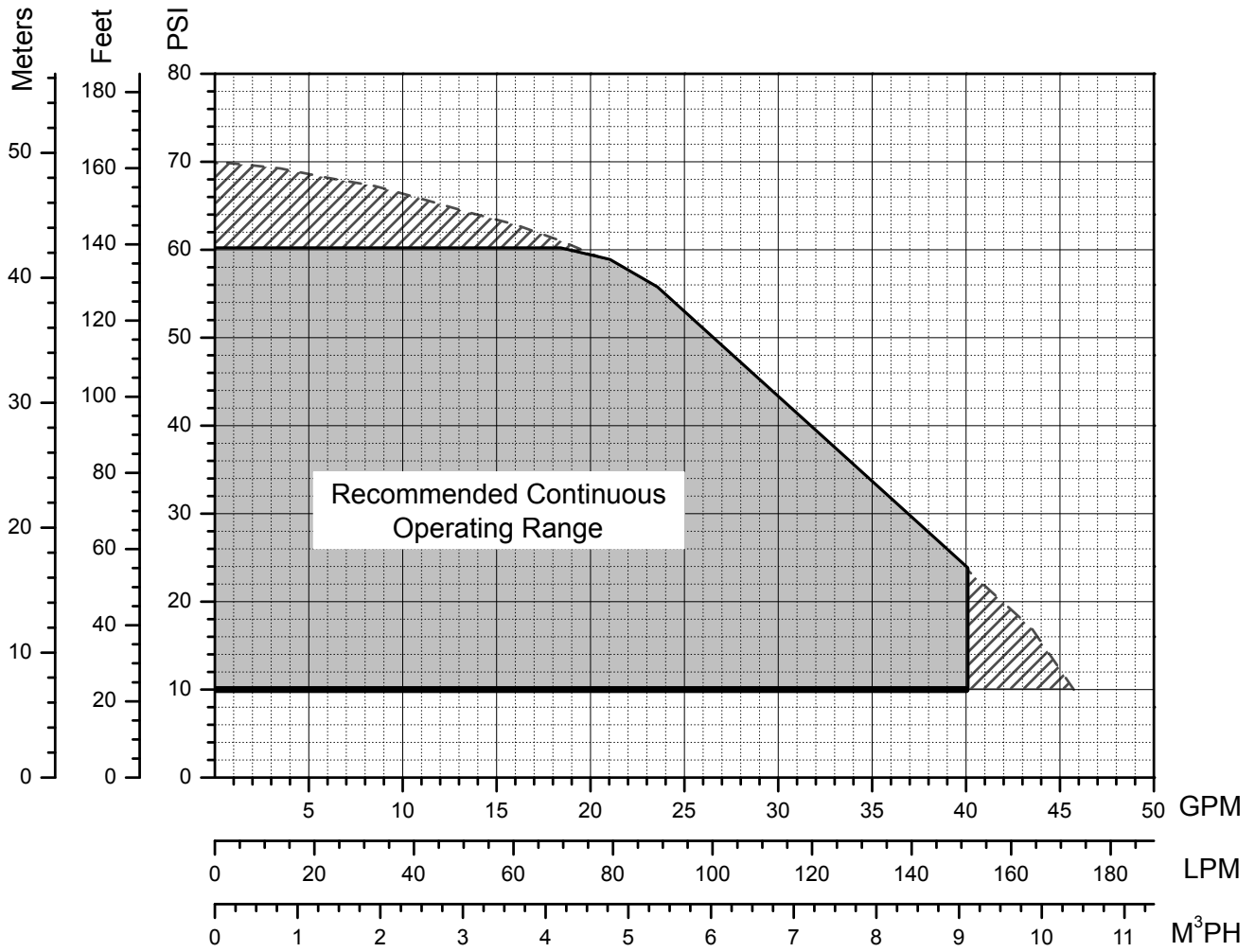
(1) \* Item ships with fastener kit D

## TROUBLESHOOTING



NUMBER OF FLASHES	FAULT	POSSIBLE CAUSES	CORRECTIVE ACTION
<b>Yellow Light</b>	MOTOR UNDERLOAD	No water Insufficient Water Vortex (Cistern application) Air/gas lock pump	The pump is running dry check water source. Restrict pump discharge to prevent cavitation. Raise minimum water level in cistern.
<b>2</b>	UNDERVOLTAGE	Low line voltage Misconnected input power leads	Line voltage is low, less than approximately 190 VAC. Check incoming power connections and correct or tighten if necessary.
<b>3</b>	LOCKED PUMP	Dragging motor and/or pump Abrasives or debris in pump	Check pump for external damage like a dent in the shell. Flush debris from pump and add input screen.
<b>4</b>	N/A		
<b>5</b>	OPEN MOTOR CIRCUIT	Loose motor connection	Wires to motor are open circuit. Check motor connection.
<b>6</b>	SHORT CIRCUIT	When fault is indicated immediately after power-up Short circuit due to defective cable motor or drive	Check motor connections. Replace drive or motor.
<b>7</b>	OVERHEATED DRIVE	High ambient temperature Improper ventilation Clogged heat sink	Ambient temperature has exceeded 104°F (40°C). Shield from direct sunlight. Ensure air temperature around drive does not exceed 104°F (40°C). Remove debris from heat sink fins.
<b>8</b>	OVER PRESSURE	Shut off sensor opened Water logged tank Pressure setting too close to shut off sensor pressure	Check for loose connections on the shut off sensor and drive terminal blocks. Check tank recharge. A water logged tank may cause a pressure spike that actuates the shut off sensor. Reduce system pressure setting to a value less than pressure shut off sensor.
<b>RAPID</b>	INTERNAL FAULT	A fault was found internal to drive	Contact a professional service provider.

# APPENDIX 1 - INLINE SYSTEM PERFORMANCE CURVES



## APPENDIX 2 - FRICTION LOSS TABLES

**Note:** Chart shows friction loss per 100' of pipe. To convert to friction loss per foot, move decimal point two places to the left.

### 1"

Schedule 40 pipe 1.049 in. i.d. / Type L Copper tube 1.025 in. i.d.					
GPM	Velocity Ft/S	Friction Loss Ft Hd./100' of pipe		Velocity Ft/S	Ft Hd./ 100' Pipe Fric. Loss C=130
		Steel C=100	PVC C=140		
2.0	0.74	0.60	0.32	.078	0.41
3.0	1.11	1.26	0.68	1.17	0.87
4.0	1.49	2.14	1.15	1.56	1.48
5.0	1.86	3.24	1.75	1.95	2.23
6.0	2.23	4.54	2.45	2.34	3.13
8.0	2.97	7.73	4.16	3.11	5.35
10	3.71	11.7	6.31	3.89	8.08
12	4.46	16.4	8.85	4.67	11.3
14	5.20	21.8	11.8	5.45	15.0
16	5.94	27.9	15.1	6.22	19.2
18	6.68	34.7	18.7	7.00	23.9
20	7.43	42.1	22.8	7.78	29.0
25	9.29	63.6	34.6	9.74	43.9
30	11.1	89.2	48.1	11.7	61.4
40	14.9	152	82.0	15.5	105

### 1-1/4"

Schedule 40 pipe 1.380 in. i.d. / Type L Copper tube 1.265 in. i.d.					
GPM	Velocity Ft/S	Friction Loss Ft Hd./100' of pipe		Velocity Ft/S	Ft Hd./ 100' Pipe Fric. Loss C=130
		Steel C=100	PVC C=140		
4.0	0.86	0.56	0.30	1.02	0.52
6.0	1.29	1.20	0.65	1.53	1.12
8.0	1.72	2.04	1.10	2.04	1.92
10	2.15	3.08	1.67	2.55	2.90
12	2.57	4.31	2.33	3.06	4.04
14	2.00	5.73	3.10	3.57	5.35
16	3.43	7.34	3.96	4.08	6.85
18	3.86	9.13	4.93	4.59	8.52
20	4.29	11.1	6.00	5.10	10.4
25	5.36	16.8	9.06	6.38	15.7
30	6.43	23.5	12.7	7.65	22.1
40	8.58	40.0	21.6	10.2	37.6
50	10.7	60.4	32.6	12.8	56.7
60	12.9	84.7	45.6	15.3	79.5
80	17.2	144	77.9	20.4	136

### 1-1/2"

Schedule 40 pipe 1.610 in. i.d. / Type L Copper tube 1.505 in. i.d.					
GPM	Velocity Ft/S	Friction Loss Ft Hd./100' of pipe		Velocity Ft/S	Ft Hd./ 100' Pipe Fric. Loss C=130
		Steel C=100	PVC C=140		
6.0	0.95	0.57	0.31	1.08	0.49
8.0	1.26	0.96	0.52	1.44	0.82
10	1.58	1.45	0.79	1.80	1.24
12	1.89	2.04	1.10	2.16	1.73
15	2.36	2.95	1.59	2.70	2.62
20	3.15	5.24	2.83	3.60	4.46
25	3.94	7.90	4.26	4.51	6.74
30	4.73	11.1	6.00	5.41	9.44
40	6.30	18.9	10.2	7.21	16.1
50	7.88	28.5	15.4	9.01	24.3
60	9.46	40.0	21.6	10.8	34.1
70	11.0	53.2	28.7	12.6	45.5
80	12.6	68.1	36.8	14.4	58.1
90	14.2	84.7	45.7	16.2	72.1
100	15.8	103	56.6	18.0	87.7

### 2"

Schedule 40 pipe 2.067 in. i.d. / Type L Copper tube 1.985 in. i.d.					
GPM	Velocity Ft/S	Friction Loss Ft Hd./100' of pipe		Velocity Ft/S	Ft Hd./ 100' Pipe Fric. Loss C=130
		Steel C=100	PVC C=140		
10	0.96	0.43	0.23	1.07	0.35
15	1.44	0.92	0.50	1.60	.075
20	1.91	1.55	0.84	2.13	1.24
25	2.39	2.35	1.27	2.66	1.87
30	2.87	3.29	1.78	3.19	2.62
40	3.82	5.60	3.03	4.26	4.48
50	4.78	8.46	4.57	5.32	6.76
60	5.74	11.9	6.44	6.39	9.47
70	6.69	15.8	8.53	7.45	12.6
80	7.65	20.2	10.9	8.52	16.2
90	8.61	25.1	13.6	9.58	20.0
100	9.56	30.5	16.5	10.7	24.4
120	11.5	42.7	23.1	12.8	34.1
150	14.3	64.7	35.0	16.0	51.6
200	19.1	110	59.4	21.3	87.8

# LIMITED WARRANTY\*

## **THIS WARRANTY SETS FORTH THE COMPANY'S SOLE OBLIGATION AND PURCHASER'S EXCLUSIVE REMEDY FOR DEFECTIVE PRODUCT.**

Franklin Electric Company, Inc. and its subsidiaries (hereafter "the Company") warrants that the products accompanied by this warranty are free from defects in material or workmanship of the Company.

The Company has the right to inspect any product returned under warranty to confirm that the product contains a defect in material or workmanship. The Company shall have the sole right to choose whether to repair or replace defective equipment, parts, or components.

The buyer should return the product to the place of purchase for warranty consideration. Subject to the terms and conditions listed below, the Company will repair or replace to the buyer any portion of this product which proves defective due to materials or workmanship of the Company.

The Company will consider products for warranty for 12 months from the date of installation or for 24 months from the date of manufacture, whichever occurs first.

The Company shall IN NO EVENT be responsible or liable for the cost of field labor or other charges incurred by any customer in removing and/or affixing any product, part or component thereof.

The Company reserves the right to change or improve its products or any portions thereof without being obligated to provide such change or improvement to previously sold products.

THIS WARRANTY DOES NOT APPLY TO products damaged by acts of God, including lightning, normal wear and tear, normal maintenance services and the parts used in connection with such service, or any other conditions beyond the control of the Company.

THIS WARRANTY WILL IMMEDIATELY VOID if any of the following conditions are found:

1. Product is used for purposes other than those for which it was designed and manufactured;
2. Product was not installed in accordance with applicable codes, ordinances and good trade practices;
3. Product was not installed by a Franklin Certified Contractor or Franklin Key Dealer; or
4. Product was damaged as a result of negligence, abuse, accident, misapplication, tampering, alteration, improper installation, operation, maintenance or storage, nor to an excess of recommended maximums as set forth in the product instructions.

NEITHER SELLER NOR THE COMPANY SHALL BE LIABLE FOR ANY INJURY, LOSS OR DAMAGE, DIRECT, INCIDENTAL OR CONSEQUENTIAL (INCLUDING, BUT NOT LIMITED TO, INCIDENTAL OR CONSEQUENTIAL DAMAGES FOR LOST PROFITS, LOST SALES, INJURY TO PERSON OR PROPERTY, OR ANY OTHER INCIDENTAL OR CONSEQUENTIAL LOSS), ARISING OUT OF THE USE OR THE INABILITY TO USE THE PRODUCT, AND THE BUYER AGREES THAT NO OTHER REMEDY SHALL BE AVAILABLE TO IT.

THE WARRANTY AND REMEDY DESCRIBED IN THIS LIMITED WARRANTY IS AN EXCLUSIVE WARRANTY AND REMEDY AND IS IN LIEU OF ANY OTHER WARRANTY OR REMEDY, EXPRESS OR IMPLIED, WHICH OTHER WARRANTIES AND REMEDIES ARE HEREBY EXPRESSLY EXCLUDED, INCLUDING BUT NOT LIMITED TO ANY IMPLIED WARRANTY OF MERCHANTABILITY OR FITNESS FOR A PARTICULAR PURPOSE, TO THE EXTENT EITHER APPLIES TO A PRODUCT SHALL BE LIMITED IN DURATION TO THE PERIODS OF THE EXPRESSED WARRANTIES GIVEN ABOVE.

DISCLAIMER: Any oral statements about the product made by the seller, the Company, the representatives or any other parties, do not constitute warranties, shall not be relied upon by the buyer, and are not part of the contract for sale. Seller's and the Company's only obligation, and buyer's only remedy, shall be the replacement and/or repair by the Company of the product as described above. Before using, the user shall determine the suitability of the product for his intended use, and user assumes all risk and liability whatsoever in connection therewith.

Some states and countries do not allow the exclusion or limitations on how long an implied warranty lasts or the exclusion or limitation of incidental or consequential damages, so the above exclusion or limitations may not apply to you. This warranty gives you specific legal rights, and you may also have other rights which vary from state to state and country to country.

\*Contact Franklin Electric Co., Inc. Export Division for International Warranty.



**Franklin Electric**

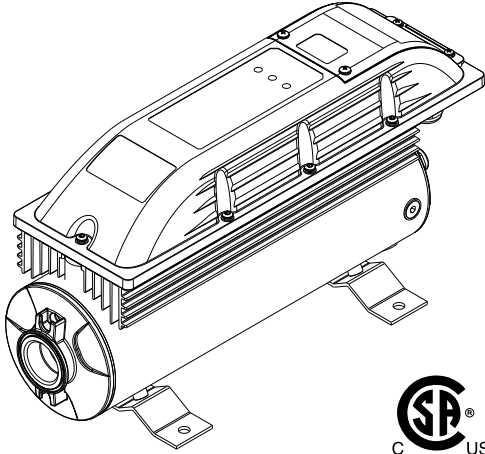
400 East Spring Street, Bluffton, IN 46714  
Tel: 260.824.2900 Fax: 260.824.2909  
[www.franklin-electric.com](http://www.franklin-electric.com)





Franklin Electric

# SISTEMA DE PRESIÓN CONSTANTE INLINE MANUAL DEL PROPIETARIO



## ANTES DE EMPEZAR

**ANTES DE INSTALAR LA BOMBA, ASEGÚRESE DE LEER CUIDADOSAMENTE EL MANUAL DEL PROPIETARIO.**

**CONSULTE LA PLACA DE DATOS DEL PRODUCTO PARA VER INSTRUCCIONES DE OPERACIÓN Y ESPECIFICACIONES ADICIONALES.**

### ⚠ PRECAUCIÓN

Mantenga el área de trabajo limpia, bien iluminada y libre de obstáculos.

Mantenga las etiquetas de seguridad limpias y en buenas condiciones.

Use gafas de seguridad mientras instale o realice el mantenimiento de la bomba.

Siga las orientaciones del NEC (Código Eléctrico Nacional) o CEC (Código Eléctrico Canadiense) y cualquiera de los códigos estatales o locales en TODAS las instalaciones eléctricas. Verifique estas informaciones en los organismos apropiados o contacte con un electricista habilitado.

Apéguese a las directrices de los códigos de plomería nacionales, estatales y locales al instalar este producto. Para información adicional consulte a las agencias apropiadas o un profesional en sistemas de agua.

La mayoría de los problemas en los sistemas de agua provienen de una instalación inadecuada. Se sugiere que lea este manual cuidadosamente antes de instalar la bomba.

La "SECCIÓN DE SOLUCIÓN DE PROBLEMAS" lo ayudará a ubicar y eliminar la causa de los problemas que pueda encontrar después de la instalación. Verifique y deje a mano todas las herramientas que precisará para instalar la bomba. Las herramientas necesarias pueden incluir llaves, sellador de tuberías, conexiones y niples, destornillador, etc. Asegúrese de tener disponible el material adecuado y apropiado para el cableado para concluir la instalación correctamente.

## ¡ATENCIÓN!

### ¡INFORMACION IMPORTANTE PARA LOS INSTALADORES DE ESTE EQUIPO!

*ESTE EQUIPO TIENE QUE SER INSTALADO POR PERSONAL TÉCNICO HABILITADO. SI NO SE INSTALA DE ACUERDO A LOS CÓDIGOS ELÉCTRICOS NACIONALES Y LOCALES Y DE ACUERDO CON LAS RECOMENDACIONES DE FRANKLIN ELECTRIC, PUEDEN OCURRIR DESCARGAS ELÉCTRICAS O INCENDIOS, DESEMPEÑO NO SATISFACTORIO Y FALLAS DEL EQUIPO. SE PUEDE OBTENER INFORMACION SOBRE INSTALACIÓN EN LOS FABRICANTES Y DISTRIBUIDORES DE BOMBAS Y DIRECTAMENTE DE FRANKLIN ELECTRIC. PARA MAYOR INFORMACION, LLAME GRATUITAMENTE A FRANKLIN POR EL TELÉFONO 800-348-2420.*

### ⚠ ADVERTENCIA

*PUEDEN OCURRIR DESCARGAS ELÉCTRICAS FATALES CUANDO NO SE CONECTE CORRECTAMENTE EL SISTEMA INLINE, LAS TUBERÍAS METÁLICAS Y TODOS LOS DEMÁS COMPONENTES METÁLICOS CERCANOS AL SISTEMA INLINE O CUANDO NO SE CONECTE EL CABLE A TIERRA CON CABLES MÁS FINOS QUE EL CABLE DEL MOTOR. PARA REDUCIR LOS RIESGOS DE DESCARGAS ELÉCTRICAS, DESCONECTE EL EQUIPO DE LA ENERGÍA ANTES DE TRABAJAR EN ÉL O EN EL SISTEMA HIDRÁULICO. NO USE EL SISTEMA EN ÁREAS DE NATACIÓN.*

## LEA Y SIGA LAS INSTRUCCIONES DE SEGURIDAD

Éste es un símbolo de alerta de seguridad. Cuando usted vea este ⚠ símbolo en su bomba o en este manual, busque una de las siguientes palabras y esté alerta en cuanto a posibles lesiones:

**⚠ PELIGRO** advierte sobre peligros que **causarán** graves lesiones, muerte o daños materiales importantes cuando se ignoren.

**⚠ ADVERTENCIA** advierte sobre peligros que **pueden** causar graves lesiones, muerte o daños materiales importantes cuando se ignoren.

**⚠ PRECAUCIÓN** advierte sobre peligros que **causarán** o **pueden** causar lesiones menores o daños materiales cuando se ignoren.







**AVISO** indica instrucciones especiales que son importantes pero que no están relacionadas a peligros. Lea cuidadosamente y siga todas las instrucciones de seguridad de este manual y de la bomba.

**⚠️ ADVERTENCIA PRESIÓN PELIGROSA:** No haga funcionar la bomba si la descarga está cerrada. Libere todos los sistemas de presión antes de manipular en cualquier componente.


**⚠️ PRECAUCIÓN** No haga funcionar la bomba en seco. Llene la bomba con agua antes de empezar o la bomba puede averiarse.

Este Sistema de Presión Constante Inline tiene garantía del fabricante. En caso de falla del producto, deberá devolverse a un profesional del sistema hidráulico autorizado para reparación. La garantía del motor se anulará si las reparaciones no son realizadas por un técnico autorizado.

## **SEGURIDAD ELÉCTRICA**

**⚠️ PRECAUCIÓN** Asegúrese que todas las FUENTES ELÉCTRICAS ESTÉN APAGADAS antes de conectar cualquier cable eléctrico.

**⚠️ ADVERTENCIA**



**Voltaje peligroso. Puede causar descarga eléctrica, quemaduras o provocar la muerte.**

Conecte la bomba a tierra antes de conectarla a la fuente de alimentación. Desconecte la alimentación antes de trabajar en la bomba, en el motor o en el tanque.

**⚠️** Haga la instalación del cableado del Sistema Inline para la tensión correcta. Consulte la sección "Instalación eléctrica" en este manual y en la placa del Sistema Inline.

**⚠️** Conecte la tierra de la fuente de energía al terminal de tierra en el compartimiento de cableado antes de conectar a la fuente de abastecimiento.

**⚠️** Cumpla el Código Eléctrico Nacional (NEC) o el Código Canadiense (CEC) y los códigos locales para el cableado.

**⚠️** Siga todas las instrucciones de cableado de la bomba que constan en este manual.

**⚠️ PRECAUCIÓN** **NO toque ninguna unidad en funcionamiento.** La superficie de la unidad puede estar CALIENTE. Deje enfriar la unidad durante treinta (30) minutos antes de manipularla.

**⚠️** Adecuado para uso en un circuito con capacidad no superior a 5.000 amperios simétricos (RMS) y un máximo de 260 V.

**⚠️** El conector de salida de la unidad se debe usar solamente con el motor especificado en la sección de Repuestos de este manual.

**⚠️** La protección del cortocircuito sólido integral no ofrece protección a las derivaciones. La protección de las derivaciones debe estar de acuerdo al Código Eléctrico Nacional o Código Eléctrico Canadiense y a los códigos locales.

## **SEGURIDAD GENERAL**

El sistema Eléctrico Inline Franklin se proyectó y construyó con una caja de unidad aprobada por la NEMA 4 para proteger los componentes electrónicos de la bomba.

## **PRINCIPALES CARACTERÍSTICAS DEL SISTEMA INLINE**

### **CARACTERÍSTICAS DEL SISTEMA:**

- Presión de agua constante con una amplia gama de configuraciones. (10 a -80 PSI - 0,7 a 5,5 bar)
- La velocidad de la bomba es controlada para ofrecer un excelente desempeño sin recargar el motor
- Potencia nominal del producto: 1.2 hp (0.9 kW)
- Partida del motor con poca tensión (partida suave)
- Operación silenciosa
- Proyecto de controlador único de bomba/motor/unidad
- Base compacta, 480 x 200 mm (19 x 8")
- Peso de embarque: 50 lbs (22.7 kg)

### **CARACTERÍSTICAS DE LA BOMBA:**

- Opera en una amplia gama de flujos, desde la succión inundada hasta 135 l/m (35 GPM).
- Exige una presión de entrada mínima de 3 PSI (0,2 bar). Excepción: Las cisternas pueden ser de succión inundada sin remolinos.
- Aumento de la presión de entrada hasta 60 PSI (4,1 bar)
- Estructura de acero inoxidable en todas las superficies húmedas.

### **CARACTERÍSTICAS DE LA PROTECCIÓN DEL CONTROLADOR DE LA UNIDAD:**

- Sin corriente de irrupción (corriente momentánea de partida)
- Desconexión ante sobrecarga opcional (Ver Sección Repuestos)
- Desconexión ante bajo nivel de agua
- Detección de bomba trabada/desconexión
- Protección contra alto voltaje/oscilación de iluminación
- Protección contra baja tensión de línea.
- Protección del motor contra falta de carga y sobrecarga
- Protección de circuito abierto y cortocircuito
- Caja NEMA 4

## **INSPECCIÓN DEL EMBALAJE**

Todos los Sistemas Eléctricos Inline Franklin se prueban, inspeccionan y embalan cuidadosamente para asegurar su llegada en perfectas condiciones. Cuando se recibe la bomba, examínela cuidadosamente para asegurarse de que no hayan ocurrido daños durante el envío. Si existen daños evidentes, infórmelos inmediatamente a su transportista y a su distribuidor. El transportista asume plena responsabilidad por la entrega segura del envío. Cualquier reclamación por daños durante el embarque, sean visibles u ocultos, se debe hacer primero al transportista.

### **EL EMBALAJE CONTIENE:**

- Bomba y unidad controladora del Sistema de Presión Constante Inline 1100

- Sensor de presión y fuelle
- Herramienta de regulación del sensor
- Manual de instalación

## **INTRODUCCIÓN A LA PRESIÓN CONSTANTE**

El Sistema Eléctrico Inline Franklin ofrece una regulación consistente de la presión de agua usando componentes electrónicos para el mando de la bomba/motor de acuerdo a la demanda en tiempo real del sistema. La demanda de presión de agua se monitorea constantemente con un sensor de presión robusto de alta precisión y gran duración, que viene con el sistema y se conecta a él en el momento de la instalación. Ajustando la velocidad de la bomba/motor, el Sistema Inline reacciona automáticamente a cualquier cambio de demanda del sistema, mientras mantiene la presión de salida constante. La presión de salida constante del Sistema Inline no debe oscilar más que uno o dos PSI, aunque la exigencia de flujo de agua de todo el sistema pueda cambiar mucho. Por ejemplo, una pequeña demanda del sistema, como la de un grifo de un baño, hace que el motor/bomba funcionen a su velocidad más baja. A medida que el sistema recibe demandas mayores, como al abrir otros grifos o utilizar electrodomésticos, la velocidad aumenta proporcionalmente para mantener la presión del sistema deseada.

## **DIAGNÓSTICO DEL SISTEMA**

Además de regular la presión de la bomba y controla precisamente la operación del motor, el Sistema Inline monitorea continuamente el desempeño del sistema y puede detectar una variedad de condiciones anormales. En muchos casos, el controlador compensará lo que sea necesario para mantener la operación continua del sistema. Pero, si existe un elevado riesgo de daños al equipo, el controlador protegerá el sistema apagándolo. Para ayudar a identificar un problema en el sistema (lo que incluye la entrada de agua y electricidad desde la empresa de abastecimiento) en Sistema Inline mostrará que existe una condición defectuosa. Ver los códigos de falla en la Sección Solución de Problemas. Si es posible, el controlador intentará reiniciar el sistema cuando se reduzca la condición de falla.

## **INSTALACIÓN**

### **UBICACIÓN DEL SISTEMA DE PRESIÓN CONSTANTE INLINE**

Elija una ubicación para la instalación de la bomba que sea adecuada basándose en la clasificación que aparece en el blindaje del sistema Inline.

**⚠ ADVERTENCIA** Se deben usar tuberías y conexiones a prueba de líquidos para mantener la clasificación NEMA 4 para exteriores.

Elija un lugar limpio y bien ventilado que ofrezca protección contra congelamiento, inundaciones o calor excesivo. Además, debe permitir fácil acceso para el mantenimiento y el drenaje conveniente de la bomba, el tanque y las tuberías de servicio. No es esencial que haya un cimiento preparado, siempre que la superficie sea dura y nivelada. Se puede montar en cualquier sentido, dependiendo del espacio disponible.

**AVISO:** La instalación expuesta directamente a los rayos solares reduce la potencia del sistema y la vida de la unidad.

### **CAÑERÍAS, TUBERÍAS Y MANGUERAS**

En general, mantenga las líneas de succión y descarga lo más amplias posibles. Evite utilizar tubos curvados, codos y conexiones cuando sea posible. Todas las conexiones de succión deben ser herméticas, por lo tanto, utilice compuesto para tuberías en todas las uniones roscadas. Utilice un filtro de succión cuando corresponda para evitar que elementos sólidos o sustancias extrañas ingresen a la bomba.

### **CAPACIDAD DE FLUJO POR TAMAÑO DE TUBERÍA**

El diámetro mínimo del caño de abastecimiento debe seleccionarse de forma que no exceda la velocidad máxima del agua de 8 ft/seg (2.4 m/s). Utilice la tabla a continuación para elegir el tamaño adecuado del caño de abastecimiento.

Diámetro mínimo de tubería	Tasa máxima de flujo GPM
1/2"	4.9 (18.5 l/m)
3/4"	11.0 (41.6 l/m)
1"	19.6 (74.2 l/m)
1-1/4"	30.6 (116 l/m)
1-1/2"	44.1 (167 l/m)

### **EXIGENCIA DE ABASTECIMIENTO DE AGUA**

El sistema Inline no se proyectó para extraer/elevar agua de una fuente situada abajo de la unidad de bombeo. No existe una exigencia de flujo de entrada a no ser la que el sistema precisa con una fuente de abastecimiento constante de agua para mantener la unidad completamente llena de agua a todo momento. Se recomienda que el sistema se abastezca con una línea de entrada de 3/4" de diámetro o más.

### **EXIGENCIA DE PRESIÓN DE ENTRADA**

El sistema Inline se proyectó para operar con una presión de entrada mínima de 3 PSI (0,2 bar). Cuando se usa en una cisterna, la exigencia de presión de entrada oscila, pero se debe mantener el nivel de agua de la cisterna para evitar que se formen remolinos.

### **TUBERÍA DE SUCCIÓN**

Cuando la bomba está ubicada a cierta distancia del pozo, es posible que se tenga que aumentar el diámetro de la tubería de succión para reducir la pérdida por fricción. La pérdida por fricción en el sistema aumenta:

- 1.) A medida que el flujo aumenta
- 2.) A medida que el diámetro de la tubería se reduce

Consulte las tablas de desempeño del Sistema Inline incluidas (Apéndice 1) y las tablas de pérdida por fricción (Apéndice 2) para determinar la cantidad de pérdida en el cabezal para una determinada aplicación.

### **TAMAÑO DE LAS TUBERÍAS DE DESCARGA PARA LA INSTALACIÓN**

Cuando la bomba está ubicada a cierta distancia de los puntos de uso del agua, hay que aumentar el tamaño de las tuberías de descarga para reducir la pérdida por fricción. La pérdida por fricción en el sistema aumenta:

- 1.) A medida que el flujo aumenta
- 2.) A medida que el diámetro de la tubería se reduce

Consulte las tablas de desempeño del Sistema Inline incluidas (Apéndice 1) y las tablas de pérdida por fricción (Apéndice 2) para determinar la cantidad de pérdida en el cabezal para una determinada aplicación.

## TANQUE DE PRESIÓN

Presión del sistema (en el Sensor de presión)	P Lectura del Tanque de Presión ( $\pm 2$ PSI)
25	18
30	21
35	25
40	28
45	32
50 Configuración de fábrica	35
55	39
60	42
65	46
70	49
75	53
80	56

**NOTA:** 1 PSI = 0,068 bar

El Sistema Inline precisa de un tanque de baja presión ubicado en la salida de la bomba para mantener la presión constante. El tanque abastece el agua mientras la bomba aumenta la velocidad y, en circunstancias en las que se requiera solamente una pequeña cantidad de agua para un corto período de tiempo. Además, el tanque evita que el agua golpee actuando como si fuese un amortiguador del sistema. Ese amortiguador también ayuda a evitar los picos de presión cuando hay un cambio brusco de demanda.

Para un flujo de 45 l/min. (12 GPM) o más, el tamaño mínimo del tanque de presión es de 15 l (4 galones); para un flujo de 45 l/min. (12 GPM), el tamaño mínimo del tanque de presión es de 7,5 l (2 galones).

### Precarga del tanque de presión (PSI)

El valor de precarga del tanque de presión debe ser del 70% del valor del sensor de presión del sistema, conforme se indica en la tabla anterior.

**NOTA:** Revise la precarga del tanque regularmente para mantener la regulación ideal de la presión.

## INSTALACIÓN

### AVISO: LEA Y SIGA TODAS LAS INSTRUCCIONES.

**⚠ ADVERTENCIA** El voltaje peligroso puede causar descarga eléctrica, quemaduras o la muerte.

**⚠ PRECAUCIÓN** El cableado incorrecto puede causar daños permanentes al sistema. La conexión de la bomba debe cumplir las normas del Código Eléctrico Nacional (NEC) o del Código Eléctrico Canadiense (CEC), y todos los códigos locales.

**⚠ PRECAUCIÓN** Si no está seguro respecto de las conexiones eléctricas apropiadas, contrate a un electricista competente para la instalación. Esto garantiza que la instalación cumple con todos los códigos eléctricos mencionados.

**⚠** Desconecte la energía en el tablero eléctrico antes de hacer conexiones eléctricas. El voltaje debe ser +/- 10% del voltaje nominal del Sistema Inline. (230V)

Un voltaje muy bajo o alto puede perjudicar el Sistema Inline e invalidar la garantía. Conecte la bomba a un circuito exclusivo sin otras aplicaciones.

**⚠** No operar la bomba a menos que esté conectada a tierra.

**⚠** Debe colocarse un interruptor de desconexión con fusibles o un disyuntor en la bomba o cerca de ella, conforme exigido por los códigos locales de electricidad.

### PROCEDIMIENTO DE INSTALACIÓN DE TUBERÍAS

- 1.) Desconectar el sistema de la energía en el interruptor principal.
- 2.) Drenar el sistema (si es necesario).
- 3.) Monte el sistema Inline en la ubicación de interiores deseada usando los tornillos de montaje. La ubicación de los tornillos se muestra en la **FIGURA 1**. El sistema Inline puede instalarse en cualquier orientación.
- 4.) Instale la tubería de entrada y salida y el tanque de presión como se muestra en la **FIGURA 2**. Debe instalarse una válvula de retención a la entrada y salida de la tubería. La válvula de retención de la salida debe estar entre la bomba y el tanque de presión para prevenir el regreso del flujo en sistemas de agua públicos, y para asegurar la apropiada operación del sistema. Cuando no se cuenta con otro dispositivo para la prevención contra regreso de flujo, debe utilizarse una válvula de retención a la entrada. Esta válvula de retención a la entrada debe ser instalada antes de la tubería bypass opcional si esta es utilizada. Asegúrese de verificar todos los códigos locales de instalación de tuberías para asegurar que se cumplan todos los requisitos respecto a la prevención del regreso de flujo de agua.
- 5.) Instale el sensor de presión en la "T" del tanque de presión, más abajo del punto de instalación del tanque de presión (el tanque de presión debe estar entre el sensor de presión y la bomba). El sensor de presión tiene una conexión de 1/4-18 NPT (National Pipe Thread). El sensor de presión no debe instalarse en una orientación invertida (dado vuelta). Asegúrese de que el sensor de presión y el tanque no estén ubicados a más de 152 cm (5 pies) de la tubería principal.
- 6.) Instalar la válvula de alivio de presión en el sentido del flujo de descenso de la válvula de verificación. La descarga se debe conectar con una tubería a un drenaje que tenga la capacidad del caudal máximo de la bomba en la presión de alivio.

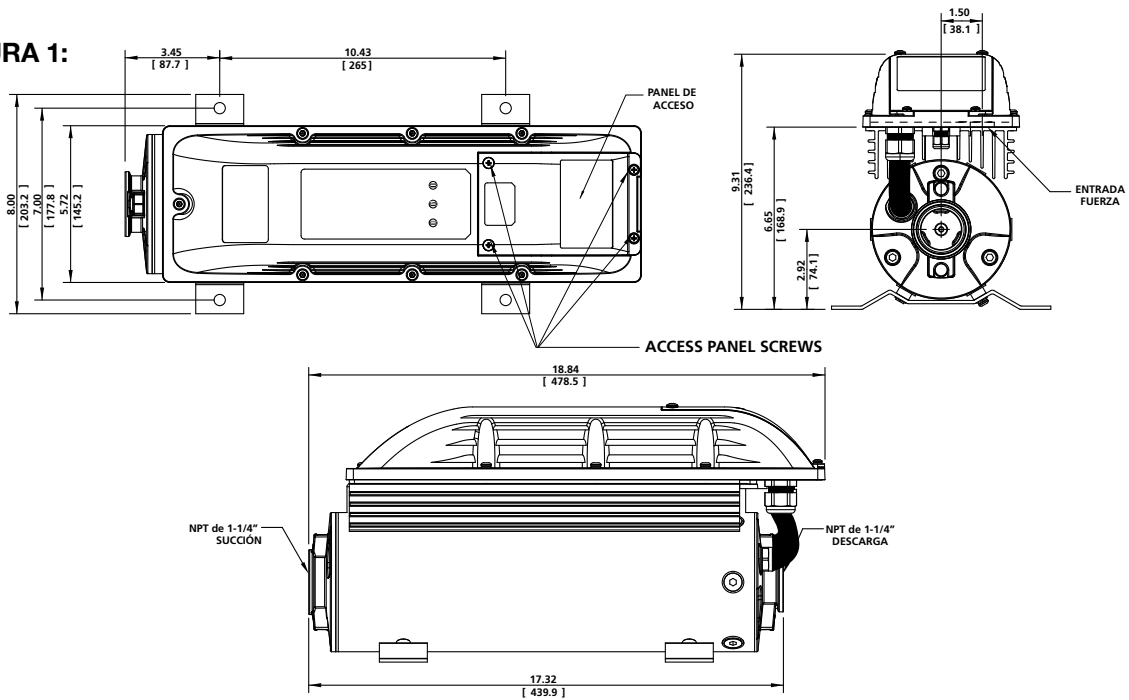
**⚠ ADVERTENCIA** Los sistemas Inline pueden desarrollar alta presión en ciertas situaciones. Siempre instale una válvula de alivio de presión capaz de admitir el pasaje del caudal de la bomba a 100 PSI (6,9 bar). Instalar la válvula de alivio de presión cerca del tanque de presión.

### ⚠ ADVERTENCIA

Si no se conecta el Sistema Inline a la tierra de entrada del servicio pueden ocurrir descargas eléctricas graves o fatales. También conecte a tierra la tubería metálica y demás componentes metálicos cerca del Sistema Inline. Cuando conecte a tierra esos componentes, use un cable que no sea más fino que los cables de abastecimiento de energía desde el disyuntor hasta el Sistema Inline. Para reducir los riesgos de descargas eléctricas, desconecte la energía antes de trabajar en el sistema hidráulico o cerca de él.

LOS CONDESADORES DENTRO DEL CONTROLADOR DEL SISTEMA INLINE PUEDEN MANTENER UN VOLTAJE LETAL INCLUSO DESPUÉS DE HABER SIDO DESCONECTADOS. DEJE PASAR 5 MINUTOS PARA QUE SE DESCARGUE LA TENSIÓN INTERNA ANTES DE SACAR EL PANEL DE ACCESO. Esta bomba no se ha investigado para el uso en piscinas o áreas marítimas.

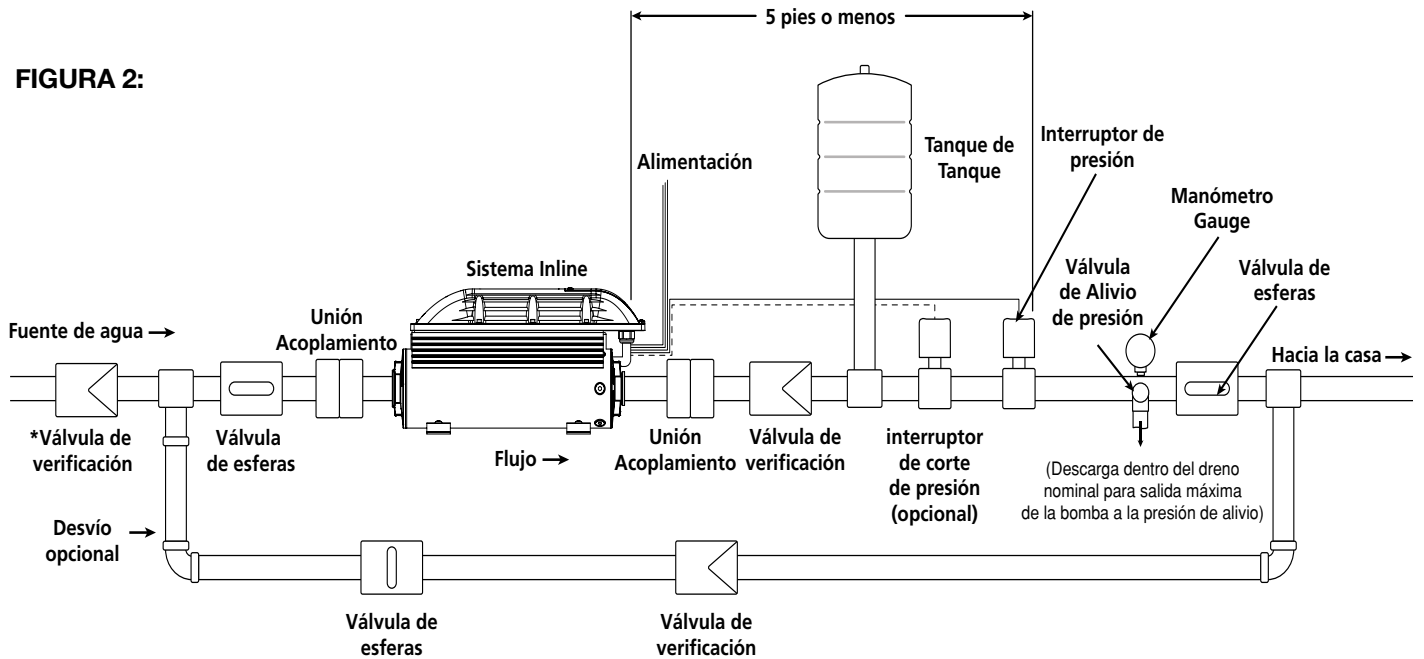
**FIGURA 1:**



**INSTALACIÓN TÍPICA**

El sistema Inline se proyectó para aumentar la presión de entrada de un sistema y para ofrecerle al sistema una presión constante en todas las salidas. Consulte una representación gráfica de cómo debe ser una Instalación Típica en la **FIGURA 2**.

**FIGURA 2:**



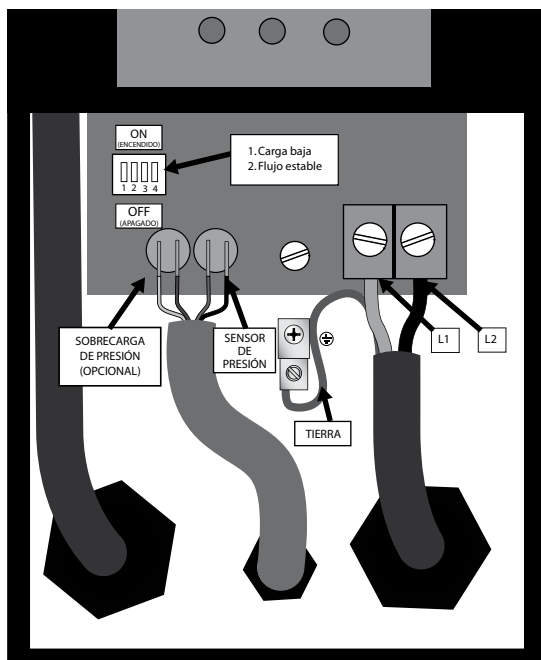
**\*Nota:** Si la tubería del sistema no cuenta con un dispositivo para prevención contra regreso de flujo, es necesario colocar una válvula de retención en la línea de suministro de agua entrante.

**Nota:** Estos componentes opcionales están mostrados en el diagrama de instalación típica. Estos pueden ser usados a consideración del instalador según sean requeridos por alguna instalación en particular.

## PROCEDIMIENTO DE INSTALACIÓN DEL CABLEADO

1. Desconectar el sistema de la energía en el interruptor principal.
2. Verifique que el circuito exclusivo de derivación del Sistema Inline esté equipado con un disyuntor de 15 A.
3. Saque el panel de acceso del Sistema Inline sacando los cuatro tornillos del panel como se muestra en la **FIGURA 1**.
4. Para su comodidad, el sensor de presión ha sido cableado previamente dentro de la unidad. Los cables rojos y negros están unidos a las entradas del sensor de presión. Si usa el sensor de desactivación de presión alta opcional, se le proporcionará un cable para agregar este componente al sistema. El sensor de desactivación de presión alta opcional se conecta a la entrada usando los cables blanco y verde. Consulte las **FIGURAS 3 y 4** que muestran las conexiones del sensor.
5. Si monta el equipo en entornos húmedos, necesitará una conexión de conducto y un conducto herméticos (no se proporcionan) para asegurar que el blindaje mantenga una clasificación NEMA 4 hermética. Instale la conexión del conducto hermético en el orificio del conducto en la parte frontal del conector de línea L1, L2. (**FIGURA 3**)

**FIGURA 3:**



**⚠ ADVERTENCIA** Se deben usar tuberías y conexiones a prueba de líquidos para mantener la clasificación NEMA 4 para exteriores.

6. Enhebre los cables de abastecimiento a través de la conexión de la tubería dentro de la cámara de cableado.
7. Conecte el cable de tierra del abastecimiento a la oreja de tierra del compartimiento del cableado.

**AVISO:** La conexión de tierra de seguridad es marcada en su terminal usando el  $\oplus$ .

8. Conecte los cables de 230 V al terminal del tornillo marcado con L1 y L2. El abastecimiento debe ser con cables de cobre de 60°C (140°F)/75°C (167°F) y los terminales deben apretarse con un torque de 1,35 Nm (12 in/lb).

9. Recolecte el panel de acceso y apriete los cuatro tornillos de la tapa. Para mantener un sellado apropiado, los tornillos de la tapa se deben apretar con un torque de 1,13 Nm (10 in/lb).
10. Determine la precarga del tanque de presión al 70% del valor de presión de agua deseado. Para revisar la precarga del tanque, despresurice el sistema de agua abriendo un grifo. Mida la precarga del tanque con un manómetro en su válvula de inflado y haga los ajustes necesarios.

## OPERACIÓN

### VALORES

**⚠ PRECAUCIÓN** La presión máxima de operación se debe limitar al nivel que sea necesario para proteger el resto de la tubería del sistema. Cuando se a necesario, se debe instalar una válvula de alivio y/o se debe usar el sensor opcional de sobrecarga.

La presión máxima de succión es de 70 PSI (4,8 bar). La temperatura máxima del agua es de 40° C (104° F). Evite el bombeo de agua abrasiva o arenosa.

**⚠ ADVERTENCIA** Presión peligrosa: No realice bombeos contra una descarga cerrada o a una presión de funcionamiento del sistema superior a 145 PSI (10 bar).

**⚠ PRECAUCIÓN** Esta bomba se ha evaluado solamente para el uso con agua.

### CEBADO

Nunca haga funcionar la bomba en seco. Llene la tubería de succión, la bomba y la tubería de salida totalmente con agua. Una instalación típica se suministrará por un tanque, o una fuente de agua presurizada, a fin de crear lo que se conoce como condición de succión inundada.

### ARRANQUE

Cierre todas las salidas del sistema y luego haga una pequeña grieta para crear una salida del sistema y liberar el exceso de aire. Ponga la bomba en funcionamiento. De forma gradual pero inmediatamente, comience por abrir la válvula de descarga a la mitad. Si después de unos minutos de funcionamiento no se obtiene agua, repita el proceso de cebado (la bomba puede estar bloqueada por el exceso de aire atrapado en la unidad). Una vez que la bomba esté funcionando, abra completamente la válvula de descarga y una salida del sistema, para permitir que la bomba funcione hasta que el agua salga limpia. No se necesita más cebado a menos que la bomba se haya drenado o haya una pérdida en la tubería de succión.

### Sistemas con pérdidas

Los sistemas de agua con pérdidas pueden mantener el controlador funcionando debido a la capacidad de sensibilidad precisa a la presión del sensor de presión. El funcionamiento continuo o las partidas y paradas no perjudican el controlador, la bomba o el motor. Sin embargo, para reducir el tiempo de conexión del controlador/bomba/motor, se instala un procedimiento de "Modo de amortiguación". Durante una condición de poco flujo (o con pérdidas), esta característica aumenta la velocidad de la bomba periódicamente varios PSI por arriba del punto establecido y cierra la bomba. Eso agrega un tiempo para la purga antes que el sistema reinicie.

## Caída de presión

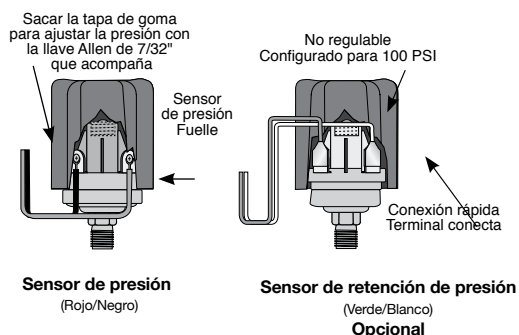
Aunque la presión sea constante en el sensor de presión, las caídas de presión pueden observarse en otras áreas del hogar cuando se abren otros grifos. Esto se debe a las restricciones de la tubería y serán más pronunciadas cuanto más lejos estén los grifos del sensor de presión. Eso puede ocurrir en cualquier sistema y, cuando se observe, no se debe interpretar como un defecto de desempeño del Sistema de Presión Constante Inline.

## AJUSTE DEL SENSOR DE PRESIÓN

El sensor de presión comunica la presión del sistema al Sistema de Presión Constante Inline. El sensor viene preconfigurado de fábrica para 50 PSI (3,4 bar), pero el instalador puede ajustarlo usando el siguiente procedimiento:

- Sacar la tapa de goma (**FIGURA 4**).
- Usando una llave Allen de 7/32" (que viene con el equipo), gire el tornillo de ajuste hacia la derecha para aumentar la presión y hacia la izquierda para reducirla. La faja de ajuste es de 25 a 80 PSI (1,7 a 5,5 bar) (1/4 de vuelta - cerca de 3 PSI (0,2 bar)).
- Recoloque la tapa de goma.
- Cubra los terminales del sensor de presión con el fuelle de goma (**FIGURA 4**).

**FIGURA 4:**



## AJUSTE DE BOMBA PARA QUE LA DEMANDA DEL SISTEMA NO SEA SUPERIOR AL SUMINISTRO DEL SISTEMA

Los sistemas Inline normalmente se usan para aumentar la presión del abastecimiento de agua municipal entre 10 PSI (0,7 bar) y 70 PSI (4,8 bar) por arriba de la presión ofrecida por el sistema público. Para que la bomba funcione correctamente a medida que impulsa el agua municipal a la presión deseada, se requiere un flujo de agua constante y estable. El sistema fallará prematuramente si se configura para funcionar a un punto mayor del que puede suministrarse.

## PROCESO PARA GARANTIZAR QUE LA BOMBA RECIBA SUFICIENTE AGUA PARA SATISFACER LA DEMANDA

- Instale una válvula de corte en las tuberías cerca de la descarga de la bomba.
- Cierre la válvula, pero asegúrese de que el agua de suministro pueda fluir libremente hacia el interior de la bomba sin restricciones.
- Ajuste el sistema para la demanda máxima de flujo.
- Encienda la bomba y comience a abrir la válvula de corte de la descarga.

- Continúe abriendo la válvula de descarga hasta que se oiga un ruido claro proveniente de la bomba. Este ruido se conoce por cavitación (que puede destruir la bomba con el paso del tiempo) y, con frecuencia suena como si hubiera piedras dentro de la bomba. NO CONTINÚE abriendo la válvula si oye la cavitación.
- Cierre lentamente la válvula de descarga hasta que no se oiga más la cavitación.
- Ahora la bomba está ajustada para que la demanda del sistema no supere la capacidad de suministro.
- Si la presión de abastecimiento o la demanda de agua varía con el tiempo, puede ser que se tenga que repetir este proceso para eliminar la cavitación.

## OPCIONES DE ACCIONAMIENTO DEL INTERRUPTOR DIP

El sistema Inline viene de fábrica debidamente configurado para operar en la mayoría de las instalaciones sin que sean necesarios ajustes o cambios de los valores del interruptor DIP. Si se necesita hacer cambios, sigue una descripción de los cambios lógicos de control que ocurrirán a medida que la posición del interruptor se cambia.



### ADVERTENCIA

El contacto con componentes eléctricos internos puede producir descargas eléctricas graves o fatales. ¡En NINGUNA circunstancia, intente modificar la configuración de un interruptor DIP hasta que se haya desconectado la alimentación y hayan pasado 5 minutos para que se descarguen las tensiones internas! Se debe desconectar la alimentación para que la configuración del interruptor DIP surta efecto.

## SELECCIÓN DE LA SENSIBILIDAD A LA FALTA DE CARGA

El controlador del sistema Inline viene configurado de fábrica para asegurar la detección de fallas de falta de carga en una gran variedad de sistemas de bombeo. En casos excepcionales, este nivel de disparo puede causar fallas inconvenientes. Si el interruptor de baja carga se activa, es mejor observar el comportamiento de los sistemas durante la falta de carga para asegurar que tenga el desempeño esperado. Una vez que el controlador comienza a regular la presión, revise la operación a varios valores de flujo para asegurarse que la sensibilidad padrón no induce los disparos inconvenientes de falta de carga.

Si se tiene que ajustar la sensibilidad a la falta de carga, desconectar el equipo de la energía y dejar que el controlador se descargue. Esperar 5 minutos para que se disipe la tensión interna, ubicar el banco de interruptores DIP. Usar un pequeño destornillador (que viene con el equipo) para mover la posición 1 para "ON", como se muestra.


## SELECCIÓN DE FLUJO ESTABLE

El Sistema Inline viene configurado de fábrica para asegurar una respuesta rápida para mantener la presión constante. En casos excepcionales (como cuando hay un grifo en la línea de agua antes del tanque de presión), puede ser que se tenga que ajustar la unidad para que ofrezca un mejor control. Si se usa la unidad en un sistema que tenga un grifo de agua antes del tanque de presión o cuando se escuchan las variaciones de velocidad de la bomba, puede ser necesario ajustar el tiempo de respuesta del control de presión). Después de

habilitar esta característica, el instalador debe revisar los cambios de flujo para verificar si no hay excesos. Un tanque de presión más grande y/o un margen mayor entre la presión de regulación y la válvula de presión pueden ser necesarios a medida que la característica de Flujo Estable reduce el tiempo de reacción del controlador a los cambios bruscos de flujo.

Si se tiene que ajustar el control de presión, desconectar el equipo de la energía y dejar que el controlador se descargue. Esperar 5 minutos para que se disipe la tensión interna, ubicar el banco de interruptores DIP. Usar un pequeño destornillador (que viene con el equipo) para mover la posición 2 para "ON", como se muestra.

**⚠ ADVERTENCIA**



Voltaje peligroso. Puede causar descarga eléctrica, quemaduras o provocar la muerte.

Conecte la bomba a tierra antes de conectarla a la fuente de alimentación. Desconecte la alimentación antes de trabajar en la bomba, en el motor o en el tanque.

## MANTENIMIENTO

### LUBRICACIÓN

La bomba sólo requiere agua para la lubricación y nunca se la debe hacer funcionar si está seca.

**⚠ ADVERTENCIA** Antes de desconectar la bomba, cerciórese de que los contactos de la caja de fusibles estén desconectados o que la corriente eléctrica esté desenchufada. Después de montar la bomba nuevamente, consulte las instrucciones de cebado antes de ponerla a funcionar.

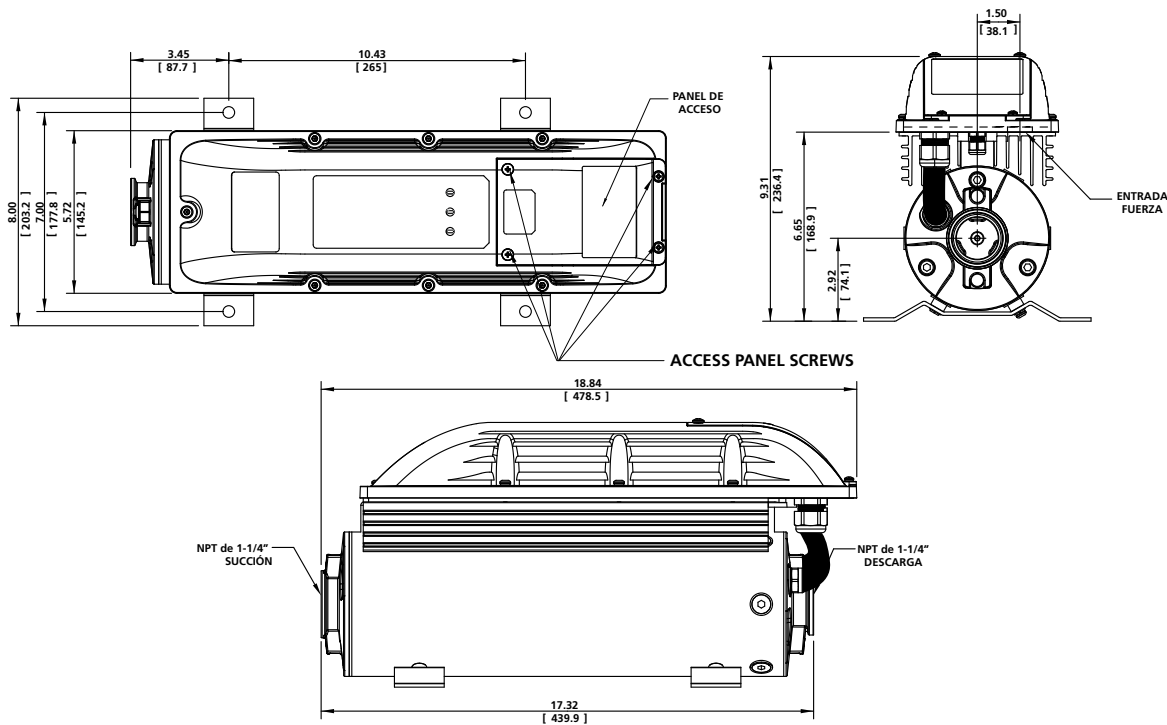
**⚠ ADVERTENCIA** El voltaje peligroso puede causar descarga eléctrica, quemaduras o la muerte. Desconecte la alimentación de la bomba antes de realizar el mantenimiento de la unidad.

### DRENAJE

**AVISO:** Desconectar la bomba no drenará necesariamente todas las partes del sistema de tuberías. Si existe alguna preocupación sobre el procedimiento adecuado o necesidad de drenar la tubería de succión, entre en contacto con un profesional en sistemas de agua.

Todos los tanques de agua y las tuberías expuestos a condiciones de congelación deben drenarse. Si existe alguna preocupación sobre el procedimiento adecuado para el tanque de presión del sistema, entre en contacto con el fabricante del tanque para obtener ayuda.

## REPUESTOS





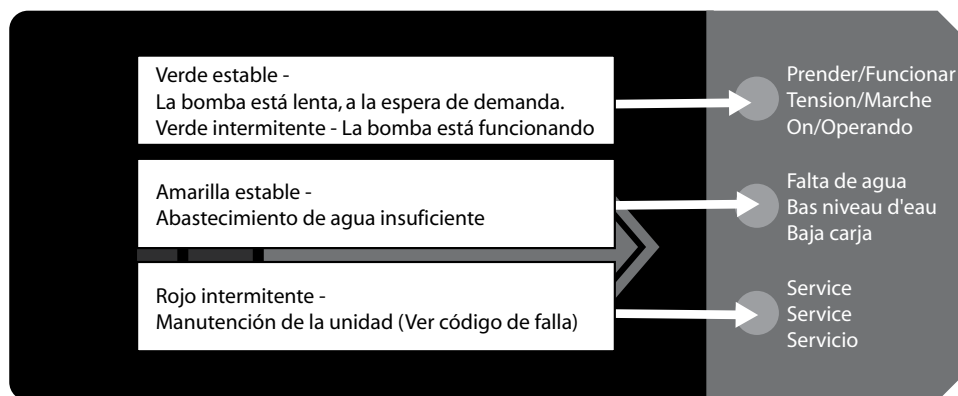
**REPUESTOS - CONTINUACIÓN**

<b>Kits de repuestos para el Inline 1100: FE</b>			
<b>Número</b>	<b>Descripción</b>	<b>Identificador de Agrupamiento de Kits</b>	<b>Códigos de Pedido de Piezas de reparación</b>
1	Conjunto de la unidad	A*	305707901
2	Columnas de montaje		
3	Conjunto Bomba Motor	B*	305707902
4	Patas de montaje	C*	305707903
5	Cabezal Torx N° 10-24 x 1,625	D	305707904
6	Arandela de seguridad N° 10		
7	Arandela chata N° 10		
8	Sellos Phillips Cabezal N° 8-32 x 0,438		
9	Sellos Phillips Cabezal plano N° 10-24 x 1,25		
10	Phillips Cabezal N° 8-32 x 0,625		
11	Arandela de seguridad N° 8		
12	Arandela chata N° 8		
13	Cabezal Torx N° 10-24 x 0,438		
14	Cabezal Torx N° 10-24 x 0,625		
15	Cable del interruptor de presión (2 hilos)	A,E	305707905
16	Interruptor de presión	F	305707906
17	Cable del interruptor de presión (4 hilos)	G	305707908
18	Interruptor de sobrepresión	H	305707909
19	kit para el tanque de la bomba de 2 galones	I	305707910

<b>Kits de repuestos para el Inline 1100: LG</b>			
<b>Número</b>	<b>Descripción</b>	<b>Identificador de Agrupamiento de Kits</b>	<b>Códigos de Pedido de Piezas de reparación</b>
1	Conjunto de la unidad	A*	305707907
2	Columnas de montaje		
3	Conjunto Bomba Motor	B*	305707902
4	Patas de montaje	C*	305707903
5	Cabezal Torx N° 10-24 x 1,625	D	305707904
6	Arandela de seguridad N° 10		
7	Arandela chata N° 10		
8	Sellos Phillips Cabezal N° 8-32 x 0,438		
9	Sellos Phillips Cabezal plano N° 10-24 x 1,25		
10	Phillips Cabezal N° 8-32 x 0,625		
11	Arandela de seguridad N° 8		
12	Arandela chata N° 8		
13	Cabezal Torx N° 10-24 x 0,438		
14	Cabezal Torx N° 10-24 x 0,625		
15	Cable del interruptor de presión (2 hilos)	A, E	305707905
16	Interruptor de presión	F	305707906
17	Cable del interruptor de presión (4 hilos)	G	305707908
18	Interruptor de sobrepresión	H	305707909
19	kit para el tanque de la bomba de 2 galones	I	14942302

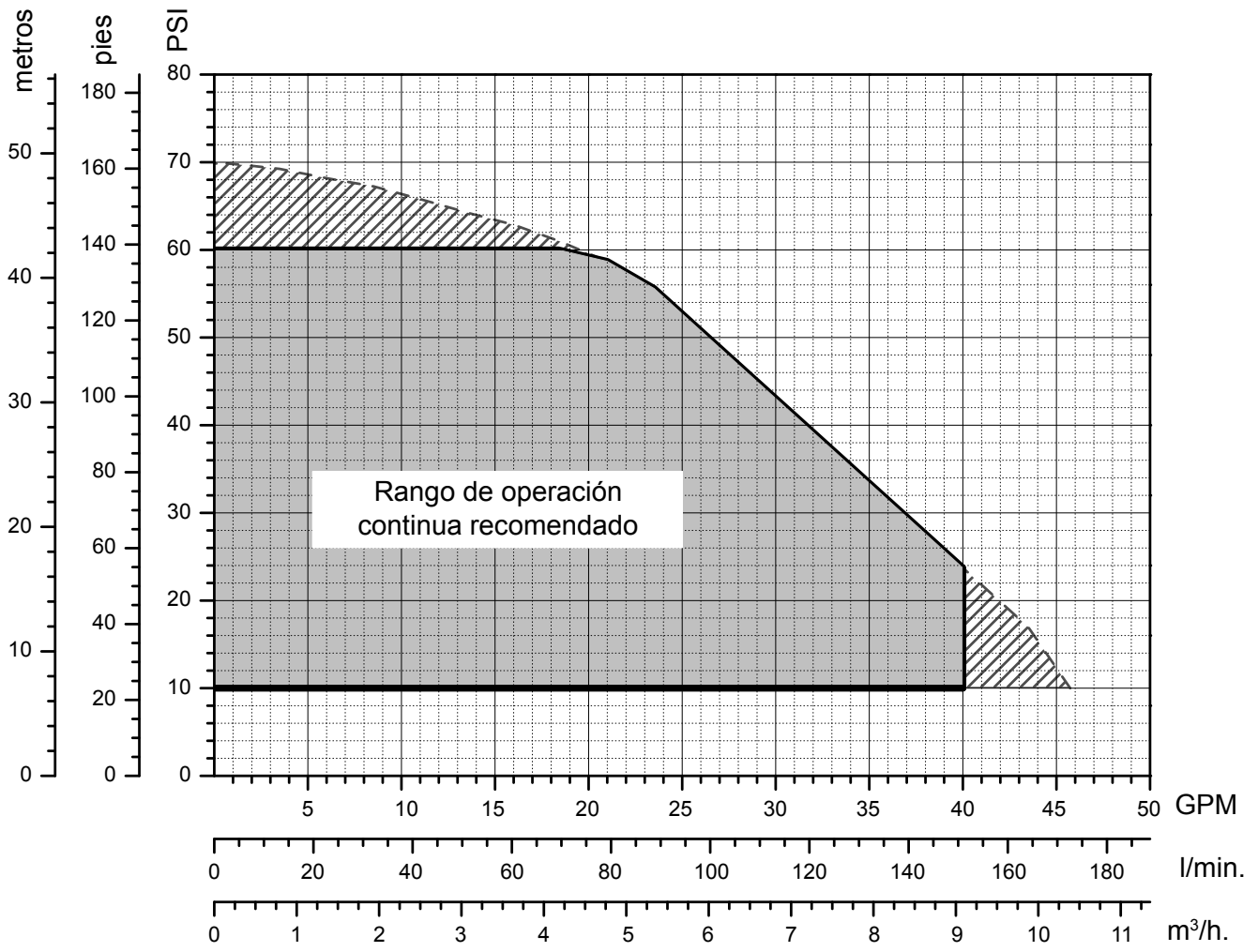
(1) \* Ítem embarcado con el kit D de fijación

## SOLUCIÓN DE PROBLEMAS



NÚMERO DE INTERMITENCIAS	FALLA	CAUSAS POSIBLES	ACCIÓN CORRECTIVA
<b>Luz amarilla</b>	FALTA DE CARGA DEL MOTOR	Falta de agua Agua insuficiente Remolino (aplicación en cisterna) Bomba de aire/gas trabada	La bomba está funcionando en seco, revise el abastecimiento de agua. Limite la descarga de la bomba para evitar la cavitación. Aumente el nivel mínimo de agua de la cisterna.
<b>2</b>	FALTA DE TENSIÓN	Baja tensión de línea. Contactos de entrada mal conectados.	La tensión de la línea es baja, inferior a cerca de 190 VAC. Revise las conexiones de entrada de energía y corrija o apriételas conforme necesario.
<b>3</b>	BOMBA TRABADA	Motor y/o bomba arrastrando. Substancias abrasivas o residuos en la bomba.	Revise la bomba para ver si no tiene daños externos como dientes en la carcasa. Retire los residuos de la bomba y adicione un filtro a la entrada.
<b>4</b>	N/D		
<b>5</b>	CIRCUITO DEL MOTOR ABIERTO	Conexión del motor floja	Los cables hasta el motor están con un circuito abierto. Verificar la conexión del motor.
<b>6</b>	CORTOCIRCUITO	Cuando se indica una falla inmediatamente después del encendido Cortocircuito debido a un cable del motor o de la unidad con defecto	Verificar las conexiones del motor. Substituir la unidad o el motor.
<b>7</b>	UNIDAD RECALENTADA	Alta temperatura ambiental. Ventilación inadecuada Disipador de calor trancado	La temperatura ambiente superó los 104°F (40°C). Proteger de la exposición solar directa. Asegurarse que la temperatura del aire alrededor de la unidad no esté a más de 104°F (40°C). Retirar residuos de las escamas del disipador de calor.
<b>8</b>	SOBRECARGA DE PRESIÓN	Cierre el sensor abierto Tanque inundado El valor de presión está muy cercano a la presión del sensor de desconexión.	Revise si no hay conexiones flojas en el sensor de desconexión y en los bloques del terminal de la unidad. Revise la recarga del tanque. Un taque de agua inundado puede causar un pico de presión que acciona el sensor de desconexión. Reduzca el valor de presión del sistema a un valor inferior al del sensor de desconexión de presión.
<b>RÁPIDOS</b>	FALLA INTERNA	Se encontró una falla interna en la unidad.	Entre en contacto con un profesional de servicios.

# APÉNDICE 1 - CURVAS DE DESEMPEÑO DEL SISTEMA INLINE



## APÉNDICE 2: TABLAS DE PÉRDIDA POR FRICCIÓN

**Nota:** El gráfico muestra la pérdida por fricción para cada 100' de tubería. Para convertir a pérdida por fricción por pie, mover la coma dos lugares hacia la izquierda.

**1"**

Tubería cédula 40 1,049 pulgadas de diámetro interno / tubo de cobre tipo L 1,025 pulgadas de diámetro interno.					
GPM	Velocidad Pies/segundo	Pérdida por fricción Ft Hd./ 100' de tubo		Velocidad Pies/segundo	Ft Hd./ 100' de tubo Pérd. por fricc. C=130
		Acero C=100	PVC C=140		
2.0	0.74	0.60	0.32	.078	0.41
3.0	1.11	1.26	0.68	1.17	0.87
4.0	1.49	2.14	1.15	1.56	1.48
5.0	1.86	3.24	1.75	1.95	2.23
6.0	2.23	4.54	2.45	2.34	3.13
8.0	2.97	7.73	4.16	3.11	5.35
10	3.71	11.7	6.31	3.89	8.08
12	4.46	16.4	8.85	4.67	11.3
14	5.20	21.8	11.8	5.45	15.0
16	5.94	27.9	15.1	6.22	19.2
18	6.68	34.7	18.7	7.00	23.9
20	7.43	42.1	22.8	7.78	29.0
25	9.29	63.6	34.6	9.74	43.9
30	11.1	89.2	48.1	11.7	61.4
40	14.9	152	82.0	15.5	105

**1-1/4"**

Tubería cédula 40 1,380 pulgadas de diámetro interno / tubo de cobre tipo L 1,265 pulgadas de diámetro interno					
GPM	Velocidad Pies/segundo	Pérdida por fricción Ft Hd./ 100' de tubo		Velocidad Pies/segundo	Ft Hd./ 100' de tubo Pérd. por fricc. C=130
		Acero C=100	PVC C=140		
4.0	0.86	0.56	0.30	1.02	0.52
6.0	1.29	1.20	0.65	1.53	1.12
8.0	1.72	2.04	1.10	2.04	1.92
10	2.15	3.08	1.67	2.55	2.90
12	2.57	4.31	2.33	3.06	4.04
14	2.00	5.73	3.10	3.57	5.35
16	3.43	7.34	3.96	4.08	6.85
18	3.86	9.13	4.93	4.59	8.52
20	4.29	11.1	6.00	5.10	10.4
25	5.36	16.8	9.06	6.38	15.7
30	6.43	23.5	12.7	7.65	22.1
40	8.58	40.0	21.6	10.2	37.6
50	10.7	60.4	32.6	12.8	56.7
60	12.9	84.7	45.6	15.3	79.5
80	17.2	144	77.9	20.4	136

**1-1/2"**

Tubería cédula 40 1,610 pulgadas de diámetro interno / tubo de cobre tipo L 1,505 pulgadas de diámetro interno					
GPM	Velocidad Pies/segundo	Pérdida por fricción Ft Hd./ 100' de tubo		Velocidad Pies/segundo	Ft Hd./ 100' de tubo Pérd. por fricc. C=130
		Acero C=100	PVC C=140		
6.0	0.95	0.57	0.31	1.08	0.49
8.0	1.26	0.96	0.52	1.44	0.82
10	1.58	1.45	0.79	1.80	1.24
12	1.89	2.04	1.10	2.16	1.73
15	2.36	2.95	1.59	2.70	2.62
20	3.15	5.24	2.83	3.60	4.46
25	3.94	7.90	4.26	4.51	6.74
30	4.73	11.1	6.00	5.41	9.44
40	6.30	18.9	10.2	7.21	16.1
50	7.88	28.5	15.4	9.01	24.3
60	9.46	40.0	21.6	10.8	34.1
70	11.0	53.2	28.7	12.6	45.5
80	12.6	68.1	36.8	14.4	58.1
90	14.2	84.7	45.7	16.2	72.1
100	15.8	103	56.6	18.0	87.7

**2"**

Tubería cédula 40 2,067 pulgadas de diámetro interno / tubo de cobre tipo L 1,985 pulgadas de diámetro interno					
GPM	Velocidad Pies/segundo	Pérdida por fricción Ft Hd./ 100' de tubo		Velocidad Pies/segundo	Ft Hd./ 100' de tubo Pérd. por fricc. C=130
		Acero C=100	PVC C=140		
10	0.96	0.43	0.23	1.07	0.35
15	1.44	0.92	0.50	1.60	.075
20	1.91	1.55	0.84	2.13	1.24
25	2.39	2.35	1.27	2.66	1.87
30	2.87	3.29	1.78	3.19	2.62
40	3.82	5.60	3.03	4.26	4.48
50	4.78	8.46	4.57	5.32	6.76
60	5.74	11.9	6.44	6.39	9.47
70	6.69	15.8	8.53	7.45	12.6
80	7.65	20.2	10.9	8.52	16.2
90	8.61	25.1	13.6	9.58	20.0
100	9.56	30.5	16.5	10.7	24.4
120	11.5	42.7	23.1	12.8	34.1
150	14.3	64.7	35.0	16.0	51.6
200	19.1	110	59.4	21.3	87.8

# GARANTÍA LIMITADA\*

## LA PRESENTE GARANTÍA ESTABLECE LA OBLIGACIÓN EXCLUSIVA DE LA EMPRESA Y LA SOLUCIÓN EXCLUSIVA DEL COMPRADOR ANTE UN PRODUCTO DEFECTUOSO.

Franklin Electric Company, Inc. y sus filiales (de aquí en adelante, "la Empresa") garantizan los productos que acompañan esta garantía contra defectos de material o mano de obra de la Empresa.

La Empresa tiene el derecho de inspeccionar cualquier producto devuelto en garantía para confirmar que dicho producto tiene un defecto de material o mano de obra. La Empresa tiene el derecho exclusivo de elegir si desea reparar o reemplazar los equipos, las piezas o los componentes defectuosos.

El comprador debe devolver el producto al lugar de compra para que se considere su garantía. Con sujeción a los términos y condiciones enumerados a continuación, la Empresa reparará o reemplazará al comprador cualquier parte de este producto que resulte defectuosa como consecuencia del material o la mano de obra de la Empresa.

La Empresa considerará los productos para su garantía durante 12 meses a partir de la fecha de instalación o durante 24 meses a partir de la fecha de fabricación, lo que suceda primero.

EN NINGÚN CASO la Empresa se responsabilizará por el costo de mano de obra ni por otros costos en los que haya incurrido un cliente al sacar y/o colocar un producto, pieza o componente.

La Empresa se reserva el derecho de cambiar o mejorar sus productos o cualquiera de sus partes sin verse obligada a ofrecer dicho cambio o mejora a productos vendidos anteriormente.

ESTA GARANTÍA NO SE APLICA A los productos dañados por casos de fuerza mayor, como rayos, desgaste y rotura normales, servicios de mantenimiento normales y las piezas utilizadas en conexión con dichos servicios, ni otras condiciones que excedan el control de la Empresa.

Cualquiera de las condiciones expuestas a continuación INVALIDARÁ INMEDIATAMENTE ESTA GARANTÍA:

1. El producto se utiliza para fines que no son para los que fue diseñado y fabricado;
2. El producto no se instaló de conformidad con los códigos, ordenanzas y prácticas comerciales aceptadas aplicables;
3. El producto no fue instalado por un contratista certificado por Franklin o Franklin Key Dealer; o
4. El producto se dañó como consecuencia de descuido, abuso, accidente, uso indebido, manipulación, alteración, instalación impropia, operación, mantenimiento o almacenamiento, o por superar los valores máximos recomendados establecidos en las instrucciones del producto.

TANTO EL VENDEDOR COMO LA EMPRESA NO SE RESPONSABILIZARÁN POR NINGUNA LESIÓN, PÉRDIDA O DAÑO, DIRECTO, ACCIDENTAL O CONSECUENTE (INCLUIDOS, ENTRE OTROS, DAÑOS ACCIDENTALES O CONSECUENTES POR GANANCIAS PERDIDAS, VENTAS PERDIDAS, LESIONES PERSONALES O DAÑOS MATERIALES, O CUALQUIER OTRA PÉRDIDA ACCIDENTAL O CONSECUENTE) QUE SURJA DEL USO O LA INCAPACIDAD DE USO DEL PRODUCTO, Y EL COMPRADOR ACEPTA QUE NO HABRÁ OTRA SOLUCIÓN PARA ELLO.

LA GARANTÍA Y SOLUCIÓN DESCRITAS EN ESTA GARANTÍA LIMITADA CONSTITUYEN UNA GARANTÍA Y SOLUCIÓN EXCLUSIVAS, Y SUSTITUYEN CUALQUIER OTRA GARANTÍA O SOLUCIÓN, EXPLÍCITA O IMPLÍCITA, QUE OTRAS GARANTÍAS Y SOLUCIONES QUEDAN EXPLÍCITAMENTE EXCLUIDAS, INCLUIDAS, A MODO DE EJEMPLO, CUALQUIER GARANTÍA IMPLÍCITA DE MERCANTIBILIDAD O ADECUACIÓN PARA UNA FINALIDAD ESPECÍFICA, AL PUNTO EN QUE CUALQUIERA SE APLICA A UN PRODUCTO, TENDRÁ UNA DURACIÓN LIMITADA A LOS PERIODOS DE LAS GARANTÍAS EXPLÍCITAS QUE SE MENCIONARON ANTERIORMENTE.

DESCARGO DE RESPONSABILIDAD: Todas las afirmaciones verbales acerca del producto realizadas por el vendedor, la Empresa, los representantes o cualquier otra parte no constituyen garantías, no deben ser tenidas en cuenta por el comprador y no forman parte del contrato de compraventa. La única obligación del comprador y de la Empresa, y la única solución del comprador, será el reemplazo y/o la reparación del producto por parte de la Empresa, tal como se describe anteriormente. Antes de usar el producto, el usuario debe determinar si éste es adecuado para el uso que se le desea dar, y el usuario asume todo riesgo y responsabilidad en conexión con dicho uso.

Algunos estados y países no permiten la exclusión o limitación de la duración de garantías implícitas, o la exclusión o limitación por daños accidentales o consecuentes; por eso, la exclusión o limitación anterior puede no aplicarse en este caso. Esta garantía le otorga derechos legales específicos, y usted también puede tener otros derechos que varíen según el estado o el país.

\*Contacte la División de Exportación de Franklin Electric Co., Inc. para informarse sobre Garantía Internacional.



**Franklin Electric**

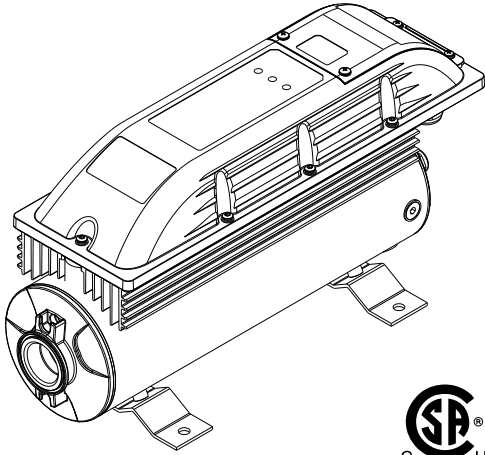
400 East Spring Street, Bluffton, IN 46714  
Tel.: 260.824.2900 Fax: 260.824.2909  
www.franklin-electric.com





Franklin Electric

# SYSTÈME DE PRESSION CONSTANTE INLINE MANUEL DU PROPRIÉTAIRE



## AVANT DE COMMENCER

**AVANT DE PROCÉDER À L'INSTALLATION DE LA POMPE, VEUILLEZ LIRE ATTENTIVEMENT CE GUIDE D'UTILISATION.**

**CONSULTEZ LES PLAQUES SIGNALÉTIQUES POUR DES CONSIGNES D'UTILISATION ET DES SPÉCIFICATIONS ADDITIONNELLES.**

### **▲ PRUDENCE**

L'aire de travail doit être propre, bien illuminée et dégagée.

Gardez les étiquettes de sécurité propres et en bon état.

Portez des lunettes de protection pendant les travaux d'installation ou de maintenance de la pompe.

Respectez les directives du National Electric Code (NEC) ou du Code canadien de l'électricité (CCE) ainsi que les codes provinciaux ou locaux applicables pour TOUTES les installations électriques. Vérifiez la conformité auprès des agences appropriées ou faites appel à un électricien agréé.

Conformez-vous au code du bâtiment locale lorsque vous installez ce produit. Pour plus d'information contactez les autorités appropriées ou un professionnelle en système de pompage.

La plupart des problèmes qui surviennent dans des systèmes de distribution d'eau sont le résultat d'une installation fautive. Nous vous recommandons de lire attentivement le guide d'utilisation présent avant de procéder à l'installation de votre pompe.

La section de « DÉPANNAGE » vous aidera à localiser et éliminer les causes de tout problème que vous pourriez rencontrer après l'installation. Inspectez et préparez tous les outils dont vous aurez besoin pour installer votre pompe. L'outillage requis peut inclure des clés, un enduit d'étanchéité de tuyau, des raccords et des mamelons, des tournevis, etc. Assurez-vous d'avoir l'équipement de câblage adéquat pour terminer correctement l'installation.

## ATTENTION !

### RENSEIGNEMENTS IMPORTANTS POUR LES INSTALLATEURS DE CET EQUIPEMENT !

CET EQUIPEMENT EST PREVU POUR L'INSTALLATION PAR DU PERSONNEL TECHNIQUEMENT QUALIFIE. LE FAIT DE NE PAS L'INSTALLER EN CONFORMITE AVEC LES CODES ELECTRIQUES LOCAUX ET NATIONAUX, ET EN CONFORMITE AVEC LES RECOMMANDATIONS DE FRANKLIN ELECTRIC, PEUT ENTRAINER UN CHOC ELECTRIQUE OU UN INCENDIE, UNE PERFORMANCE INSATISFAISANTE, ET UNE DEFECTUOSITE DE MATERIEL. LES INFORMATIONS D'INSTALLATION FRANKLIN SONT DISPONIBLES AUPRES DE FABRICANTS ET DE DISTRIBUTEURS DE POMPES, ET DIRECTEMENT DE FRANKLIN ELECTRIC. APPELLEZ FRANKLIN GRATUITEMENT AU 800-348-2420 POUR DES INFORMATIONS.

### **▲ AVERTISSEMENT**

UN CHOC ELECTRIQUE GRAVE OU MORTEL PEUT RESULTER D'UN ECHEC DE CONNEXION DE MOTEUR, DES BOITIERIS DE COMMANDE, DE PLOMBERIE EN METAL, ET DE TOUT AUTRES METAUX A PROXIMITE DU MOTEUR OU CABLE, A LA BORNE D'ALIMENTATION EN UTILISANT UN FIL NON PLUS PETIT QUE DES FILS DE CABLE DE MOTEUR. POUR REDUIRE LE RISQUE DE CHOC ELECTRIQUE, DEBRANCHEZ L'ALIMENTATION AVANT DE TRAVAILLER SUR OU AUTOUR DU RESEAU D'EAU. N'UTILISEZ PAS LE RESEAU EN LIGNE DANS DES ZONES DE BAINNADE.

### **LISEZ ET RESPECTEZ LES CONSIGNES DE SÉCURITÉ**

Voici le symbole d'avertissement en matière de sécurité. Chaque fois que vous voyez ce symbole ▲ sur votre pompe ou dans le guide présent, vous trouverez un des mots-indicateurs suivants qui vous permettront de rester à l'affût des risques de blessures corporelles :

### **▲ DANGER**

vous avertit d'un danger qui **entraînera** des blessures corporelles sérieuses, la mort ou des dommages matériels importants s'il est ignoré.

### **▲ AVERTISSEMENT**

vous avertit d'un danger qui **risque** d'entraîner des blessures corporelles sérieuses, la mort ou des dommages matériels importants s'il est ignoré.

### **▲ PRUDENCE**

vous avertit d'un danger qui **entraînera** ou qui **risque** d'entraîner des blessures corporelles mineures ou des dommages matériels importants s'il est ignoré.







**NOTE** indique les instructions spéciales qui sont importantes mais non relatives aux dangers. Lisez attentivement et suivez toutes les instructions de sécurité situées dans le manuel et sur la pompe.

**⚠ AVERTISSEMENT** **PRESSIION DANGEREUSE :**

La pompe ne doit pas être mise en marche contre une sortie d'eau fermée. Relâchez la pression entière du système avant de travailler sur un des éléments.


**⚠ PRUDENCE** La pompe ne doit pas fonctionner à sec. Remplissez la pompe d'eau avant le démarrage pour éviter des dommages.

Ce Réseau sous Pression Constant En Ligne est garanti par le fabricant. Dans le cas d'une panne du produit, il doit être renvoyé à un professionnel de réseau sous pression autorisé pour des réparations. La garantie est nulle si les réparations ne sont pas exécutées par un technicien autorisé.

## **ÉLECTRICITÉ ET SÉCURITÉ**

**⚠ PRUDENCE** Assurez-vous que TOUTE L'ALIMENTATION ÉLECTRIQUE EST COUPÉE avant de brancher des fils électriques.

**⚠ AVERTISSEMENT**



**Tension dangereuse. Peuvent causer des chocs électriques, des brûlures ou la mort.**

Mettez la pompe à la terre avant de la brancher à l'alimentation électrique. Débranchez l'alimentation avant de travailler sur la pompe, le moteur ou le réservoir.

**⚠** Câblez le Réseau En Ligne pour une tension correcte. Consultez la section « Installation électrique » du guide présent ainsi que la plaque signalétique du Réseau En Ligne.

**⚠** Connectez le bloc d'alimentation à la borne de masse dans le compartiment de câblage avant de brancher l'alimentation.

**⚠** Respectez le National Electrical Code (NEC) ou le Code canadien de l'électricité (CCE) ainsi que les codes locaux applicables lors de la pose des fils.

**⚠** Respectez toutes les directives de câblage fournies dans le guide présent.

**⚠ PRUDENCE** **NE PAS TOUCHER un entraînement en marche.** La surface de l'entraînement peut être CHAUD. Laissez l'entraînement refroidir pendant trente (30) minutes avant de le manipuler.

**⚠** Convenable pour utilisation sur un circuit capable de livrer pas plus de 5000 ampères symétriques PAE, 260 volt maximum.

**⚠** Le connecteur de sortie sur l'entraînement est uniquement destiné à être utilisé avec le moteur spécifié dans la section Pièces de Rechange de ce manuel.

**⚠** La protection de court-circuit à semi-conducteur intégral ne fournit pas de protection du circuit de dérivation. La protection de circuit de dérivation doit être

fournie en conformité avec le Code Electrique National ou le Code Electrique Canadien et les codes locaux.

## **SÉCURITÉ GÉNÉRALE**

Le Réseau En Ligne de Franklin Electric est conçu et construit avec un boîtier NEMA 4 d'entraînement approuvé pour protéger les composants électroniques de la pompe.

## **FONCTIONS CLES DU RÉSEAU EN LIGNE**

### **CARACTÉRISTIQUES DE RÉSEAU :**

- Pression d'eau constante, avec un large éventail de paramètres. (10-80 psi, 0,7 - 5,5 bar)
- La vitesse de pompe est contrôlée pour fournir une performance optimale sans surcharger le moteur
- Puissance nominale: 1.2 hp (0.9 kW)
- Démarrage de moteur à faible courant (démarrage en douceur)
- Fonctionnement Silencieux
- Conception de contrôleur de pompe/moteur/d'entraînement unique
- Poids: 50 lbs (22.7 kg)

### **CARACTÉRISTIQUES DE POMPE :**

- Fonctionne avec une large gamme de débits de l'aspiration inondée à 35 GPM (135 l/m)
- Nécessite une pression minimale entrante de 3 PSI (0,2 bar) Exception : Les citernes peuvent être à aspiration inondée sans vortex
- Augmente la pression entrante jusqu'à 60 PSI (4,1 bar)
- Construction en acier inoxydable pour toutes les surfaces humidifiées

### **CARACTÉRISTIQUES DE PROTECTION DE CONTRÔLEUR D'ENTRAÎNEMENT :**

- Aucun courant d'appel (transitoire alimentation en marche)
- Arrêt de surpression facultatif (Voir la Section Pièces de Rechange)
- Arrêt eau basse
- Arrêt/détection de pompe verrouillée
- Protection coup de foudre/haute tension
- Protection de basse tension de secteur
- Protection moteur sur le dessus et surcharge
- Protection de circuit ouvert et court-circuit
- Enceinte NEMA 4

## **INSPECTEZ LE MATÉRIEL REÇU**

Tous les Réseaux En Ligne de Franklin Electric sont soigneusement testés, inspectés, et emballés pour assurer leur arrivée en parfait état. Dès livraison de votre pompe, inspectez-la de près pour vous assurer qu'elle n'a pas été endommagée pendant le transport. Signalez immédiatement tout dommage visible à votre transporteur et au commerçant. Le transporteur assume la responsabilité entière pour une livraison du matériel en bon état. Toute réclamation concernant des dommages, visibles ou cachés, au matériel doit s'adresser d'abord au transporteur.

### **LE PAQUET COMPREND :**

- La pompe de Réseau Sous Pression Constant 1100 En Ligne et l'unité de contrôleur
- Capteur et Amorce de Pression
- Outil d'Ajustement de Capteur
- Manuel d'Installation

## **INTRODUCTION DE PRESSION CONSTANTE**

Le Réseau En Ligne de Franklin Electric offre une régulation de pression d'eau constante en utilisant l'électronique de pointe pour entraîner la pompe/le moteur selon la demande en temps réel du réseau. La demande en pression d'eau est sous suivi constant grâce à un capteur de pression très précis, robuste, de longue durée qui est fourni avec et raccordé au réseau au moment de l'installation. En ajustant la vitesse de pompe/moteur, le Réseau En Ligne réagit automatiquement à tout changement de la demande du réseau tout en maintenant une pression de sortie constante. La pression de sortie constante du Réseau En Ligne ne devrait pas varier de plus d'un PSI ou deux, même si l'exigence de débit d'eau de l'ensemble du réseau peut changer de façon spectaculaire. Par exemple, une faible demande sur le réseau, comme un robinet de salle de bains, génère le fonctionnement du moteur/de la pompe à sa vitesse la plus basse. Au fur et à mesure que plus de demandes sont placées sur le réseau, telles que l'ouverture des robinets supplémentaires ou l'utilisation d'appareils, la vitesse augmente en conséquence pour maintenir la pression de réseau désirée.

## **DIAGNOSTIQUE DE RÉSEAU**

En plus de régler la pression de pompe et de contrôler avec précision le fonctionnement du moteur, le Réseau En Ligne surveille en permanence les performances du système et permet de détecter une variété de conditions anormales. Dans de nombreux cas, le contrôleur compensera au besoin pour maintenir un fonctionnement du système en continu. Mais s'il y a un risque élevé de dommages matériels, le contrôleur protégera le réseau en s'arrêtant lui-même. Pour aider à identifier qu'il y a un problème avec le réseau (qui comprend l'entrée d'eau et d'électricité de la compagnie d'électricité), le Réseau En Ligne permet de trouver qu'il y a un état de défaut. Voir la section de Dépannage pour les codes d'erreur. Si possible, le contrôleur essaiera de redémarrer lorsque la condition de défaut disparaît.

## **INSTALLATION**

### **ENDROIT DU RÉSEAU SOUS PRESSION CONSTANT EN LIGNE**

Choisir un emplacement approprié pour l'installation de la pompe en fonction des caractéristiques nominales du boîtier du système en ligne.

**⚠ AVERTISSEMENT** Les conduits et accessoires étanches aux liquides doivent être utilisés pour maintenir une valeur nominale extérieure NEMA 4.

Choisissez un endroit propre, bien aéré qui protégera l'équipement contre le gel, les inondations et les grandes chaleurs. L'emplacement doit en plus permettre l'accès pour les travaux d'entretien et un drainage facile de la pompe, du réservoir, et des tuyaux de raccordement. Des fondations ne sont pas requises si la surface est dure et plane. Il peut être monté dans n'importe quelle orientation en fonction de l'espace disponible.

**REMARQUE :** une installation en plein soleil peut réduire la puissance du réseau et réduire la durée d'entraînement.

### **PLOMBERIE, TUYAUTERIE, ET TUYAUX FLEXIBLES**

En général, gardez les lignes d'aspiration et de refoulement aussi larges que possible. Évitez d'utiliser des courbes, des coudes et de raccords dans la mesure du possible. Toutes

les connexions d'aspiration doivent être étanches à l'air. Il faut donc utiliser le mastic pour joints de tubes sur tous les raccords filetés. Utilisez une crépine d'aspiration le cas échéant pour empêcher que des matières solides et de matières étrangères soient aspirées dans la pompe.

## **CAPACITE DE DÉBIT PAR GROSSEUR DE TUYAU**

Le diamètre minimum du tube d'alimentation devrait être choisi pour ne pas dépasser une vitesse maximale d'eau de 8 pieds/sec (2.4 m/s). Utilisez le tableau ci-dessous pour la sélection d'une taille de tuyau d'alimentation correcte.

Diamètre de Tuyau Minimum	Débit Maximum GPM (Gallon Par Minute)
1/2"	4.9 (18.5 l/m)
3/4"	11.0 (41.6 l/m)
1"	19.6 (74.2 l/m)
1-1/4"	30.6 (116 l/m)
1-1/2"	44.1 (167 l/m)

## **EXIGENCE D'ALIMENTATION D'EAU**

Le Réseau En Ligne n'est pas conçu pour tirer/élever l'eau d'une source en-dessous de l'unité de pompage. Il n'y a pas d'exigence de débit entrant autre que le réseau doit être fourni avec un approvisionnement constant en eau pour maintenir l'unité complètement remplie d'eau en tout temps. Il est recommandé que le réseau soit fourni avec une conduite d'entrée de 3/4 po. de diamètre ou plus.

## **EXIGENCE DE PRESSION ENTRANTE**

Le Réseau En Ligne est conçu pour fonctionner à des pressions minimales entrantes aussi faibles que 3 PSI (0,2 bar). Lorsqu'il est utilisé sur une citerne, l'exigence de pression entrante est nullifiée, mais un niveau d'eau doit être maintenu dans la citerne pour éviter qu'un vortex ne se forme.

## **TUYAUTERIE D'ASPIRATION**

Lorsque la pompe est située à une certaine distance de la source d'eau, la tuyauterie d'aspiration pourrait être augmentée de diamètre pour réduire la perte par friction. Le perte par friction dans un système augmente:

- 1.) avec l'augmentation du débit;
- 2.) avec la diminution du diamètre des conduites.

Consultez les tableaux de rendement du Réseau En Ligne ci-inclus (Annexe 1) ainsi que les tableaux des pertes de charge (Annexe 2) pour déterminer la charge de pression perdue pour une application donnée.

## **TAILLES DES TUYAUX D'ÉVACUATION POUR L'INSTALLATION**

Si la pompe est située à une certaine distance des points d'utilisation de l'eau, il faut augmenter le diamètre des conduites de sortie afin de réduire les pertes de charge. Le perte par friction dans un système augmente:

- 1.) avec l'augmentation du débit;
- 2.) avec la diminution du diamètre des conduites.

Consultez les tableaux de rendement du Réseau En Ligne ci-inclus (Annexe 1) ainsi que les tableaux des pertes de charge (Annexe 2) pour déterminer la charge de pression perdue pour une application donnée. **RESERVOIR A PRESSION**

Pression de Réseau (à Capteur de Pression)	P Paramètre de Réservoir à Pression ( $\pm 2$ PSI)
25	18
30	21
35	25
40	28
45	32
50 Paramètre Usine	35
55	39
60	42
65	46
70	49
75	53
80	56

**REMARQUE :** 1 PSI = 0,068 bar

Le Réseau En Ligne a besoin d'un petit réservoir sous pression placé sur la sortie de pompe pour maintenir une pression constante. Le réservoir fourni de l'eau tandis que la pompe augmente en vitesse et dans des circonstances où seule une petite quantité d'eau est nécessaire pour une courte période de temps. En plus, le réservoir empêche les coups de bélier en agissant comme un tampon de réseau. Ce tampon contribue également à prévenir les pointes de pression quand il y a un changement soudain de la demande.

Pour un flux de 12 GPM (Gallon par Minute) (45 L/min) ou plus, la taille minimale de réservoir sous pression est de 4 gallons (15 L); pour un flux de 12 GPM (Gallon par Minute) (45 L/min), la taille minimale de réservoir sous pression est de 2 gallons (7,5 L).

### Précharge de Réservoir à Pression (PSI)

Le réglage de précharge de réservoir à pression doit être à 70% du réglage de capteur de pression de réseau comme indiqué dans le tableau précédent.

**REMARQUE :** Vérifiez la précharge de réservoir régulièrement pour maintenir une régulation de pression optimale.

## INSTALLATION

### REMARQUE : LISEZ ET SUIVEZ TOUTES LES INSTRUCTIONS.

**⚠ AVERTISSEMENT** Des tensions dangereuses peuvent causer des chocs électriques, des brûlures ou la mort.

**⚠ PRUDENCE** Un câblage fautif peut entraîner des dommages permanents au réseau. La connexion de pompe doit satisfaire aux exigences du National Electric Code (NEC) ou du Code Canadien de l'Électricité (CCE), ainsi que des codes locaux applicables.

**⚠ PRUDENCE** Si vous n'êtes pas sûr des bonnes connexions électriques, engagez un électricien compétent pour l'installation. Cela permet de s'assurer que l'installation est conforme à tous les codes électriques notés.

**⚠** Coupez l'alimentation électrique au tableau de distribution avant d'installer toute connexion électrique. La tension d'alimentation doit être +/- 10% de la tension nominale du Réseau En Ligne. (230V)

Une tension trop élevée ou trop basse peut endommager le Réseau En Ligne et annuler la garantie. Branchez la pompe à un circuit de dérivation désigné qui n'alimente aucun autre appareil.

**⚠** Ne faites fonctionner la pompe que si celle-ci est fixée au sol.

**⚠** Un sectionneur fusionné ou un disjoncteur devrait être placé à ou près de la pompe comme requis par les codes électriques locaux.

### PROCEDURE D'INSTALLATION DE PLOMBERIE

- 1.) Débranchez la puissance électrique au disjoncteur principal.
- 2.) Purgez le réseau (si applicable).
- 3.) Installer le système en ligne à l'intérieur en utilisant les vis de montage. L'emplacement des vis est illustré à la **FIGURE 1**. Le système en ligne peut être orienté dans n'importe quelle direction.
- 4.) Installer l'orifice d'entrée et de sortie ainsi que le réservoir pressurisé tel qu'indiqué à la **FIGURE 2**. Une valve anti-retour doit être installée à l'entrée et à la sortie de la plomberie. La valve anti-retour de la sortie doit être installée entre la pompe et le réservoir pressurisé pour prévenir tout retour d'eau de l'aqueduc et pour assurer le bon fonctionnement du système. La valve anti-retour de l'entrée doit seulement être installée s'il n'a aucune protection contre les retours d'eau. Cette valve doit être installée avant le dispositif de plomberie de dérivation optionnelle. Soyez certain de vérifier avec le code de plomberie locale afin que l'installation soit conforme aux normes anti-refoulement en vigueur.
- 5.) Installer le détecteur de pression dans le T du réservoir de pression en aval du réservoir de pression. (Le réservoir de pression doit être situé entre le détecteur de pression et la pompe.) Le détecteur de pression comporte un raccord NPT (National Pipe Thread) de 1/4-18. Le détecteur de pression ne doit pas être installé à l'envers. S'assurer que le détecteur de pression et le réservoir ne sont pas situés à plus de 152 cm (5 pi) du tuyau principal.
- 6.) Installez un détendeur de pression en aval du clapet antiretour. Le débit doit être raccordée à un drain avec une valeur nominale pour la sortie maximale de pompe au réglage de pression de soulagement.

**⚠ AVERTISSEMENT** Les réseaux en ligne peuvent développer des pressions très élevées dans certaines situations. Installez toujours un détendeur de pression en mesure de passer tout le débit de la pompe à 100 PSI (6,9 bar). Installez le détendeur de pression près du réservoir à pression.

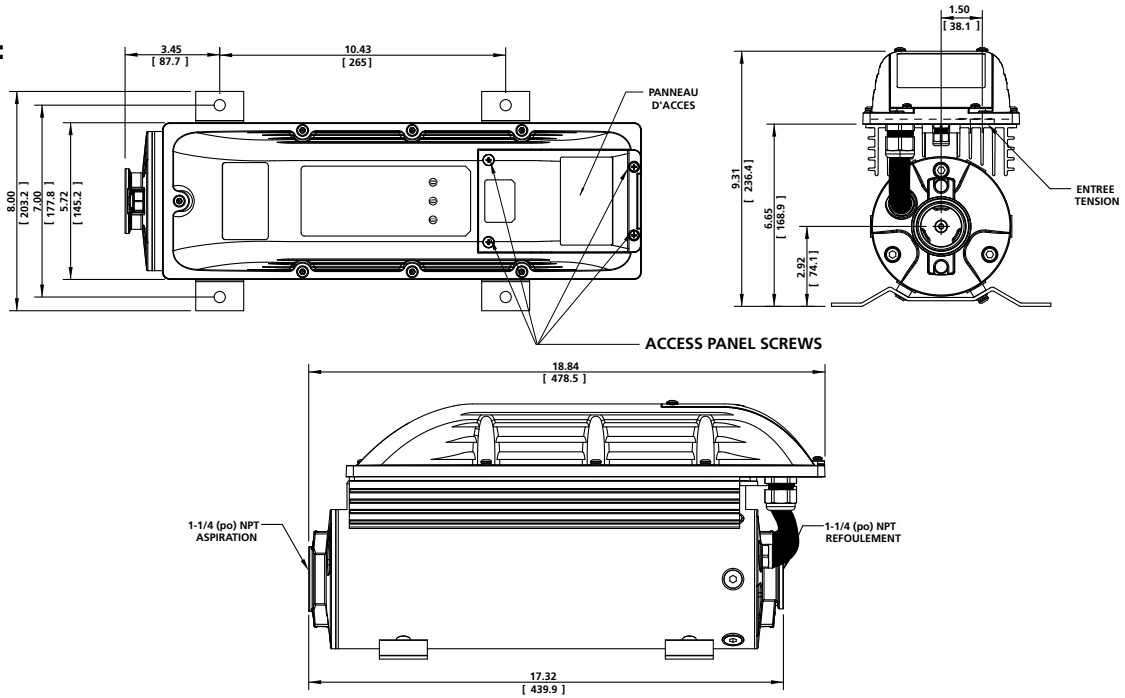
### ⚠ AVERTISSEMENT

Un choc électrique grave ou mortel peut être provoqué de par l'échec de connexion du Réseau En Ligne au sol de l'entrée de service. En outre, la plomberie en métal au sol et tous les autres métaux à proximité du Réseau En Ligne. Pendant la mise à la terre de ces composants, utilisez un câble qui n'est pas plus petit que les fils d'alimentation en puissance du disjoncteur au Réseau En Ligne. Pour réduire le risque de choc électrique, débranchez l'alimentation électrique avant de travailler sur ou autour du réseau d'alimentation en eau.

**LES CONDENSATEURS DANS LE CONTROLEUR DE RESEAU EN LIGNE PEUVENT TOUJOURS AVOIR UNE TENSION MORTELLE MÊME APRÈS QUE L'ALIMENTATION AIT ETE COUPEE. ATTENDEZ 5 MINUTES POUR QUE LA TENSION INTERNE DANGEREUSE SE DECHARGE AVANT D'ENLEVER LE PANNEAU D'ACCES.**

Cette pompe n'a pas été conçue pour une utilisation dans une piscine ou de zones marines.

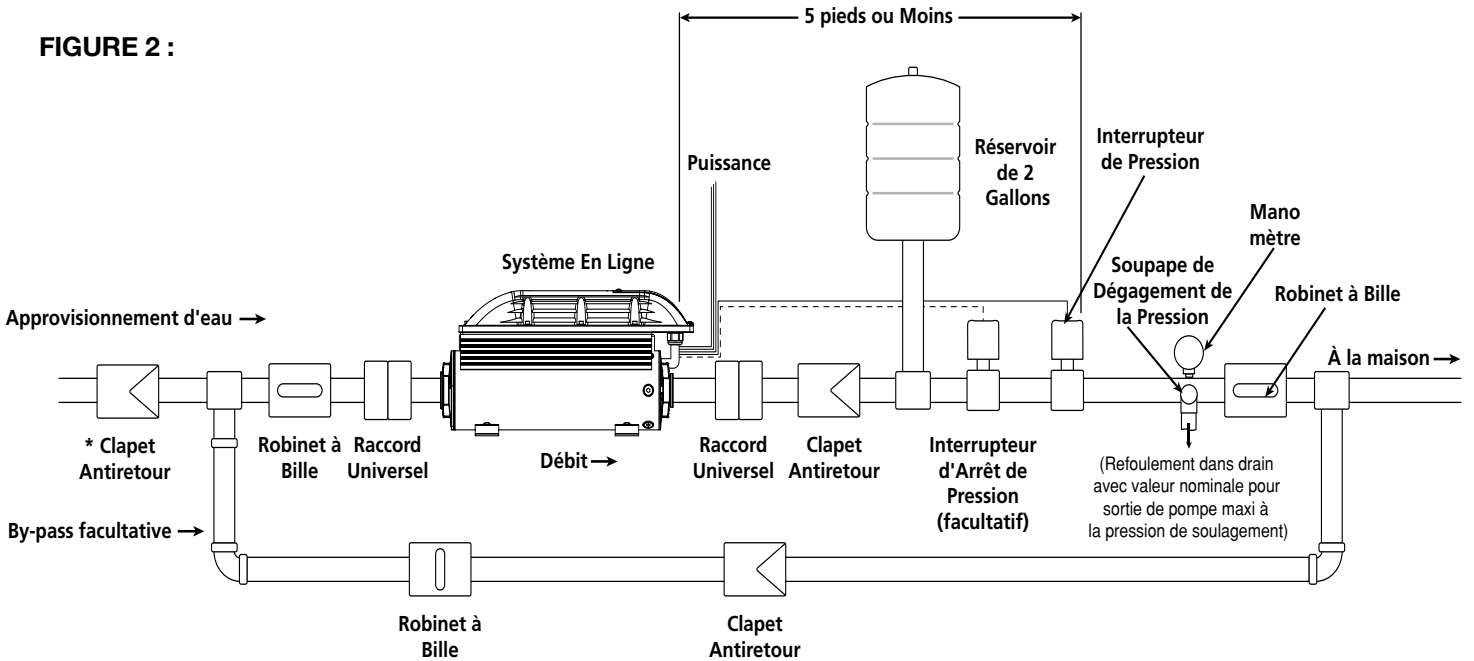
**FIGURE 1 :**



**INSTALLATION TYPIQUE**

Le Réseau En Ligne est conçu pour augmenter à la fois la pression entrante d'un réseau, et pour fournir le réseau avec une pression constante à travers toutes les sorties. Voir la **FIGURE 2** pour une représentation graphique de ce qu'une Installation Typique peut être.

**FIGURE 2 :**



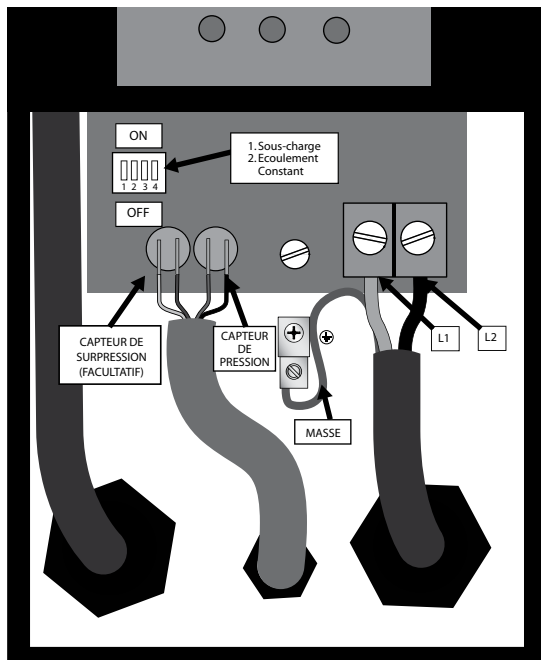
**\*Avis :** Si le système de plomberie n'a pas de disconnecteur hydraulique, une valve de retenue devra être installé sur la ligne d'entrée d'eau.

**Note:** Ces composantes optionnelles sont montrés à titre indicatif dans le diagramme. Ils sont aux choix de l'installateur selon l'application choisie.

## PROCEDURE D'INSTALLATION DE CABLAGE

1. Débranchez la puissance électrique au disjoncteur principal.
2. Vérifiez que le circuit de dérivation dédié pour le Réseau En Ligne est équipé d'un disjoncteur de 15 ampères.
3. Retirez le panneau d'accès du Réseau En Ligne en retirant les quatre vis du panneau d'accès comme le montre la **FIGURE 1**.
4. Pour plus de commodité, le détecteur de pression est précâblé à l'intérieur de l'appareil. Les câbles rouge et noir sont fixés aux entrées du détecteur de pression. Un câble est fourni pour ajouter le détecteur de pression d'arrêt en option au système, si ce composant est utilisé. Le détecteur de pression d'arrêt en option est branché avec les fils blanc et vert. Voir les **FIGURES 3 et 4** qui illustrent les branchements du détecteur.
5. Si le dispositif est installé dans un environnement humide, un raccord de conduite étanche et une conduite étanche doivent être utilisés (ils ne sont pas fournis) pour assurer l'étanchéité du boîtier et sa conformité à la norme NEMA 4. Installer le raccord de conduite étanche dans le trou de la conduite situé à l'avant des raccords de conduite L1 et L2. (**FIGURE 3**)

**FIGURE 3 :**



**AVERTISSEMENT** Les conduits et accessoires étanches aux liquides doivent être utilisés pour maintenir une valeur nominale extérieure NEMA 4.

6. Acheminez les fils d'alimentation à travers le raccord de conduit dans l'espace de câblage.
7. Connectez le fil de terre d'alimentation à l'oreille de mise à la terre dans le compartiment de câblage.

**REMARQUE :** La connexion de prise de terre de sécurité est marquée à sa borne en utilisant ⊕.

8. Branchez les fils d'alimentation de 230V à la borne à vis marquée L1 et L2. L'alimentation devrait être des fils en cuivre de 60°C (140°F)/75°C (167°F) et les bornes doivent être serrées à un couple de 12 po-lb (1,35 Nm).

9. Remplacez le panneau d'accès et resserrez les quatre vis de couvercle. Pour une bonne étanchéité, les vis de couvercle doivent être serrées à un couple de 10 po-lb (1,13 Nm).
10. Réglez la précharge de réservoir à pression à 70% du réglage de pression d'eau désiré. Pour vérifier la précharge du réservoir, abaissez la pression du réseau d'eau en ouvrant un robinet. Mesurez la précharge de réservoir avec un manomètre à son robinet de gonflage et procédez aux ajustements nécessaires.

## FONCTIONNEMENT

### VALEURS NOMINALES

**PRUDENCE** La pression de service maximale devrait être limitée à n'importe quel niveau nécessaire pour protéger le reste de la plomberie de réseau existante. Quand requis, un détendeur de pression devrait être installé, et/ou le capteur de surpression optionnel peut être utilisé.

La pression d'aspiration maximale est de 70 PSI (4,8 bar). La température maximum de l'eau est de 104° F (40° C). Évitez de pomper de l'eau abrasive ou sableuse.

**AVERTISSEMENT** Pression Dangereuse : Ne faites pas fonctionner les pompes contre un refoulement fermé, ou à une pression de fonctionnement de réseau au-dessus de 145 PSI (10 bar).

**PRUDENCE** Cette pompe a été conçue pour utilisation qu'avec de l'eau.

### MISE EN EAU

Il ne faut jamais faire fonctionner une pompe à sec. Remplissez le tuyau d'aspiration, la pompe et la tuyauterie de refoulement complètement avec de l'eau. Une installation typique sera fournie par soit un réservoir, soit une source d'eau sous pression, créant ce qu'on appelle un état d'aspiration immergée.

### DEMARRAGE

Fermez toutes les sorties du système, puis entrouvrez légèrement une sortie de système pour permettre à l'excès d'air de se purger du système. Démarrez la pompe. Peu à peu, mais immédiatement, commencez à ouvrir le robinet de refoulement jusqu'à ce qu'il soit à moitié ouvert. Si après quelques minutes de marche, vous n'avez pas d'eau, répétez le processus de mise en eau (la pompe peut être verrouillée par un excès d'air qui est emprisonné dans l'appareil). Une fois que la pompe est en marche, ouvrez le robinet de refoulement et une sortie de système complètement, laissant la pompe fonctionner jusqu'à ce que l'eau soit complètement incolore. Aucune mise en eau supplémentaire devrait être nécessaire à moins que la pompe soit purgée ou s'il y a une fuite dans la tuyauterie d'aspiration.

### Fuites dans les Réseaux

Des fuites dans les réseaux d'eau peuvent faire en sorte que le contrôleur continue à fonctionner en raison de la capacité de détection de pression exacte du capteur de pression. Un fonctionnement ou des démarrages et arrêts en continus n'endommagent pas le contrôleur, la pompe ou le moteur. Toutefois, afin de réduire le temps de marche du contrôleur/pompe/moteur, une procédure "Bump-Mode" est installée. Au cours de conditions de faibles débits (ou de fuites), cette fonctionnalité augmente périodiquement la vitesse de la pompe de plusieurs psi au-dessus du point de consigne et éteint la pompe. Cela ajoute un certain temps pour réduire la pression avant que le système ne redémarre.

## Baisse de Pression

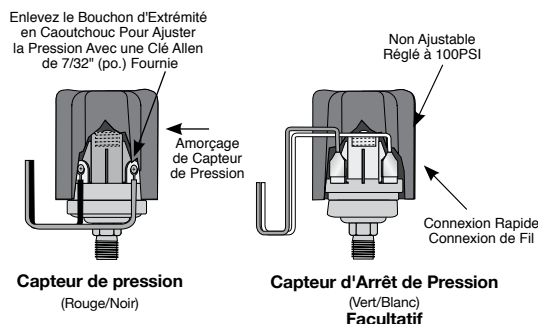
Bien que la pression soit constante au niveau du capteur de pression, les chutes de pression peuvent être perceptibles dans d'autres secteurs de la maison lorsque des robinets supplémentaires sont ouverts. Celles-ci sont dues à des restrictions dans la plomberie et seront plus prononcées s'il y a plus de distance entre les robinets et le capteur de pression. Cela serait vrai de tout système, et si observé, ne doit pas être interprété comme une défaillance dans l'exécution du Réseau Sous Pression Constante.

## REGLER LE CAPTEUR DE PRESSION

Le capteur de pression communique la pression du réseau au Réseau Sous Pression Constante En Ligne. Le capteur est réglé en usine à 50 psi (3,4 bar), mais peut être réglé par l'installateur en utilisant la procédure suivante :

- Enlevez le bouchon d'extrémité en caoutchouc (FIGURE 4).
- En utilisant une clé Allen de 7/32" (po) (fournie), tournez la vis de réglage dans le sens des aiguilles d'une montre pour augmenter la pression et dans le sens inverse des aiguilles d'une montre pour diminuer la pression. La plage de réglage est comprise entre 25 et 80 psi (1,7 et 5,5 bar) (1/4 de tour = environ 3 psi (0,2 bar)).
- Remplacez le bouchon d'extrémité en caoutchouc.
- Recouvrez les bornes de capteur de pression avec la botte de caoutchouc fournie (FIGURE 4)

FIGURE 4 :



## RÉGLAGE DE LA POMPE POUR QUE LA DEMANDE DU RÉSEAU NE SOIT PAS PLUS QUE L'ALIMENTATION DU RÉSEAU

Les Réseaux En Ligne sont généralement utilisés pour augmenter la pression de l'eau municipale entre 10 psi (0,7 bars) et 70 psi (4,8 bars) au-dessus de ce qui est fourni par le service d'eau. Pour que la pompe fonctionne correctement au fur et à mesure qu'elle stimule l'eau municipale à la pression désirée, un flux d'eau stable et continu est requis. Le réseau peut tomber en panne prématurément si réglé pour fonctionner à un point au-delà de ce qui peut être fourni.

## PROCÉDÉ POUR ASSURER QUE LA POMPE REÇOIT ASSEZ D'EAU POUR REpondre A LA DEMANDE

- Installez un robinet de sectionnement dans la plomberie, près du refoulement de la pompe.
- Fermez le robinet, mais assurez-vous que l'alimentation en eau peut s'écouler librement dans la pompe sans restriction.
- Réglez le réseau pour une demande de débit maximale.
- Allumez la pompe, et commencez à ouvrir le robinet de sectionnement du refoulement.

- Continuez à ouvrir le robinet de refoulement jusqu'à ce qu'un bruit très distinct se fasse entendre en provenance de la pompe. Ce bruit est appelé Cavitation (qui peut détruire la pompe au cours du temps), et le bruit ressemblera à un mouvement de gravier à l'intérieur de la pompe. ARRETEZ l'ouverture du robinet de refoulement une fois que la cavitation est entendue.
- Fermez doucement le robinet de refoulement jusqu'à ce que la cavitation ne soit plus entendue.
- La pompe est réglée de telle sorte que la demande du système ne dépassera pas ce qui peut être fourni.
- Si la pression d'alimentation ou la demande en eau varie au fil du temps, cette procédure peut être répétée pour éliminer la cavitation.

## OPTIONS DE COMMUTATEUR

### DIP D'ENTRAÎNEMENT

Le Réseau En Ligne est réglé en usine pour fonctionner correctement dans la plupart des installations sans avoir besoin d'ajustements ou de modifications aux paramètres du commutateur DIP. Si des changements sont nécessaires ce qui suit est une description des changements de logique de commande qui se produiront quand une position de commutateur est changée.

**⚠ AVERTISSEMENT** Une électrocution potentiellement mortelle pourrait se produire avec le contact des composants électriques internes. NE PAS modifier, en aucun cas, les réglages de l'interrupteur DIP avant que le courant n'ait été coupé et qu'un intervalle de 5 minutes se soit écoulé pour le déchargement du voltage interne. Le courant doit être coupé pour que le réglage de l'interrupteur DIP fonctionne.

### SELECTION DE SENSIBILITÉ DE SOUS-CHARGE

Le contrôleur de Réseau En Ligne est configuré en usine pour assurer la détection de défauts de Sous-Charge dans une grande variété d'applications de pompage. Dans de rares cas ce niveau de déclenchement peut entraîner des défauts de nuisance. Si le commutateur de Sous-charge est activé, il est préférable d'observer le comportement des réseaux au cours de la condition de sous-charge pour être sûr qu'il fonctionnera comme prévu. Une fois que le contrôleur commence à réguler la pression, vérifiez le fonctionnement à plusieurs débits pour s'assurer que la sensibilité par défaut ne provoque pas de déclenchements de sous-charge nuisibles.

S'il est nécessaire d'ajuster la sensibilité de Sous-charge, coupez l'alimentation et permettez au contrôleur de se décharger. Attendez 5 minutes pour permettre à la tension interne de se dissiper, recherchez la batterie de commutateur DIP. Utilisez un petit tournevis (fourni) pour déplacer la position 1 sur "ON" comme indiqué.

### SELECTION DE DÉBIT CONTINU

Le Réseau En Ligne est configuré en usine pour assurer une réponse rapide pour maintenir une pression constante. Dans de rares cas (comme avec un robinet de canalisation d'eau avant le réservoir à pression), l'appareil peut être ajusté pour offrir un meilleur contrôle. Si l'appareil est utilisé sur un réseau qui a un robinet de canalisation d'eau avant le réservoir à pression ou là où des variations de vitesse de la pompe peuvent être entendues, le fait d'ajuster le temps de réponse de commande de pression peut être nécessaire. Après avoir activé cette fonctionnalité, l'installateur devrait vérifier les modifications de débit pour voir s'il y a des dépassements

possibles. Un plus grand réservoir à pression et/ou une plus grande marge entre la régulation et la pression interne peut être exigée au fur et à mesure que la fonctionnalité Steady Flow (Débit Continu) réduit le temps de réaction du contrôleur aux changements brusques de débit.

S'il est nécessaire d'ajuster la commande de pression, coupez l'alimentation et permettez au contrôleur de se décharger.

Attendez 5 minutes pour permettre à la tension interne de se dissiper, recherchez la batterie de commutateur DIP. Utilisez un petit tournevis (fourni) pour déplacer la position 2 sur "ON" comme indiqué.

**⚠ AVERTISSEMENT**



Tension dangereuse. Peuvent causer des chocs électriques, des brûlures ou la mort.

Mettez la pompe à la terre avant de la brancher à l'alimentation électrique. Débranchez l'alimentation avant de travailler sur la pompe, le moteur ou le réservoir.

## MAINTENANCE

### LUBRIFICATION

La pompe ne requiert que de l'eau pour la lubrification et ne doit jamais fonctionner à sec.

**⚠ AVERTISSEMENT** Avant de débrancher la pompe, assurez-vous que les fils de sortie de la boîte de fusibles sont débranchés ou que l'alimentation est coupée. Après le remontage de la pompe, suivez les instructions d'amorçage avant le démarrage.

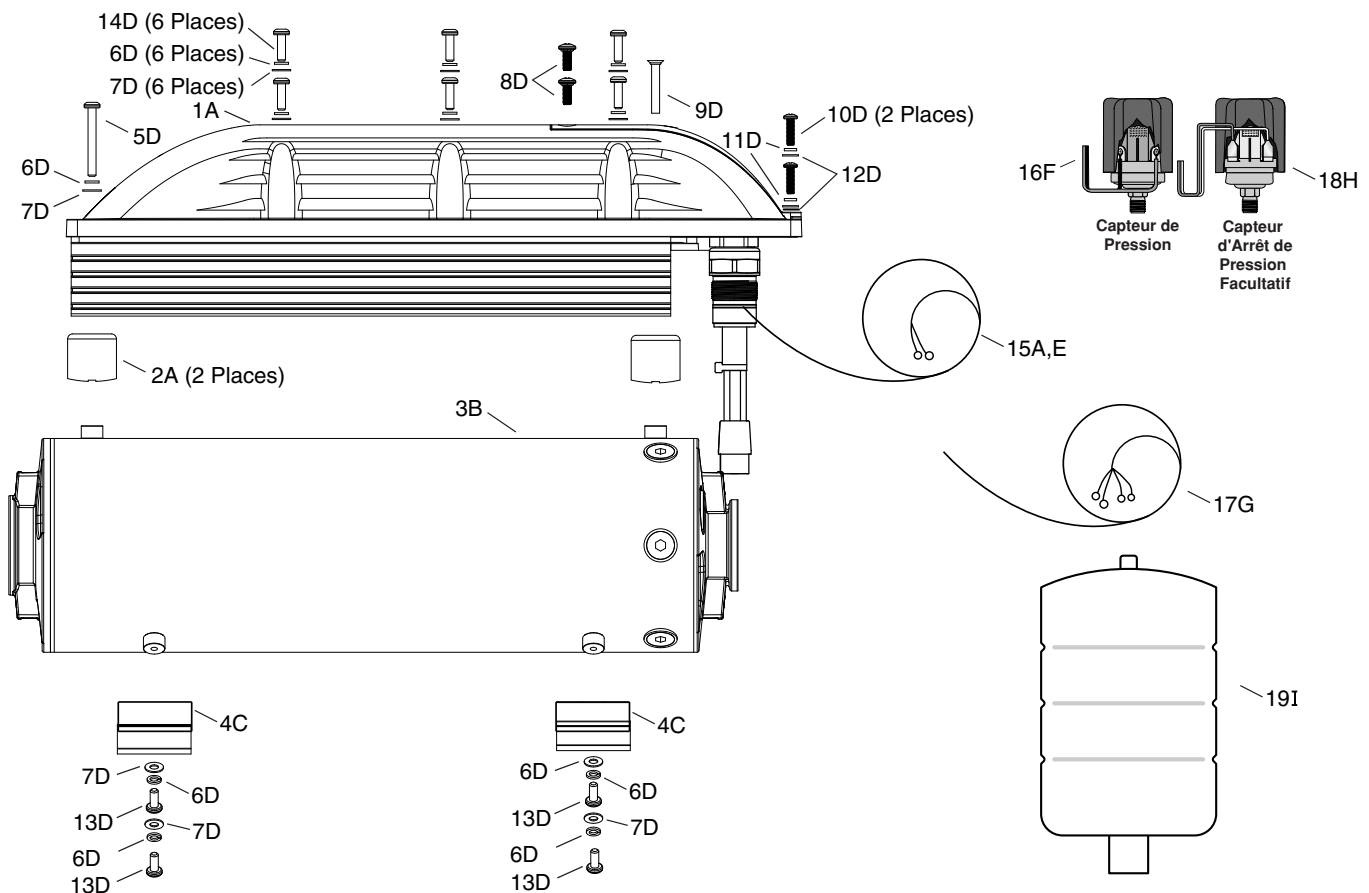
**⚠ AVERTISSEMENT** Des tensions dangereuses peuvent causer des chocs électriques, des brûlures ou la mort. Débranchez la pompe avant de procéder à l'entretien de l'unité.

### VIDANGE

**AVIS :** Le fait de déconnecter la pompe ne vidangera pas nécessairement toutes les autres parties du système de tuyauterie. En cas de doute concernant la procédure à suivre ou la nécessité d'une vidange de la tuyauterie d'aspiration, veuillez contacter un professionnel de réseaux d'alimentation en eau.

Toutes les canalisations et réservoirs d'eau exposés au gel devraient être vidangés. En cas de doute concernant la procédure à suivre ou la nécessité d'une vidange du réservoir sous pression des systèmes, veuillez contacter le fabricant de réservoir pour obtenir de l'aide.

## PIECES DE RECHANGE



**PIECES DE RECHANGE - SUITE**

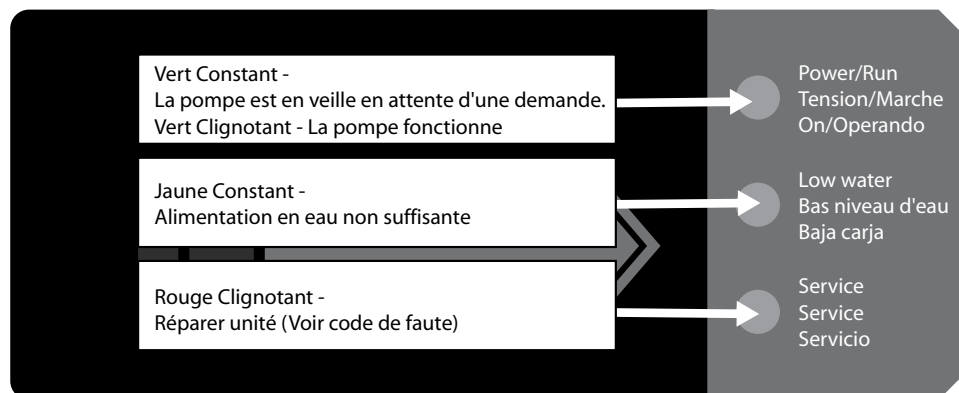
<b>Kits de Pièces de Rechange pour En Ligne 1100 : FE</b>			
<b>Numéro</b>	<b>Description</b>	<b>Identificateur de Regroupement de Kit</b>	<b>Codes de Commande de Pièce de Dépannage</b>
1	Ensemble d'Entraînement	A*	305707901
2	Montants		
3	Ensemble de Moteur Pompe	B*	305707902
4	Pieds de Montage	C*	305707903
5	#10-24x1.625 Tête Cylindrique Large à Pointe à Six Lobes	D	305707904
6	Rondelle de Frein #10		
7	Rondelle Plate #10		
8	#8-32x0.438 Tête Cylindrique Large à Etanchéité Phillips		
9	#10-24x1.25 Tête Plate à Etanchéité Phillips		
10	#8-32x0.625 Tête Cylindrique Large Phillips		
11	Rondelle de Frein #8		
12	Rondelle Plate #8		
13	#10-24x0.438 Tête Cylindrique Large à Pointe à Six Lobes	A,E	305707905
14	#10-24x0.625 Tête Cylindrique Large à Pointe à Six Lobes		
15	Câble de Pressostat (2 Fils)	F	305707906
16	Pressostat	G	305707908
17	Câble de Pressostat (4 Fils)	H	305707909
18	Manocontact de Surpression	I	305707910
19	Kit de réservoir de pompe de 2 gallons		

<b>Kits de Pièces de Rechange pour En Ligne 1100 : LG</b>			
<b>Numéro</b>	<b>Description</b>	<b>Identificateur de Regroupement de Kit</b>	<b>Codes de Commande de Pièce de Dépannage</b>
1	Ensemble d'Entraînement	A*	305707907
2	Montants		
3	Ensemble de Moteur Pompe	B*	305707902
4	Pieds de Montage	C*	305707903
5	#10-24x1.625 Tête Cylindrique Large à Pointe à Six Lobes	D	305707904
6	Rondelle de Frein #10		
7	Rondelle Plate #10		
8	#8-32x0.438 Tête Cylindrique Large à Etanchéité Phillips		
9	#10-24x1.25 Tête Plate à Etanchéité Phillips		
10	#8-32x0.625 Tête Cylindrique Large Phillips		
11	Rondelle de Frein #8		
12	Rondelle Plate #8		
13	#10-24x0.438 Tête Cylindrique Large à Pointe à Six Lobes	A, E	305707905
14	#10-24x0.625 Tête Cylindrique Large à Pointe à Six Lobes		
15	Câble de Pressostat (2 Fils)	F	305707906
16	Pressostat	G	305707908
17	Câble de Pressostat (4 Fils)	H	305707909
18	Manocontact de Surpression	I	14942302
19	Kit de réservoir de pompe de 2 gallons		

(1) \* L'article est expédié avec un kit de fixation D

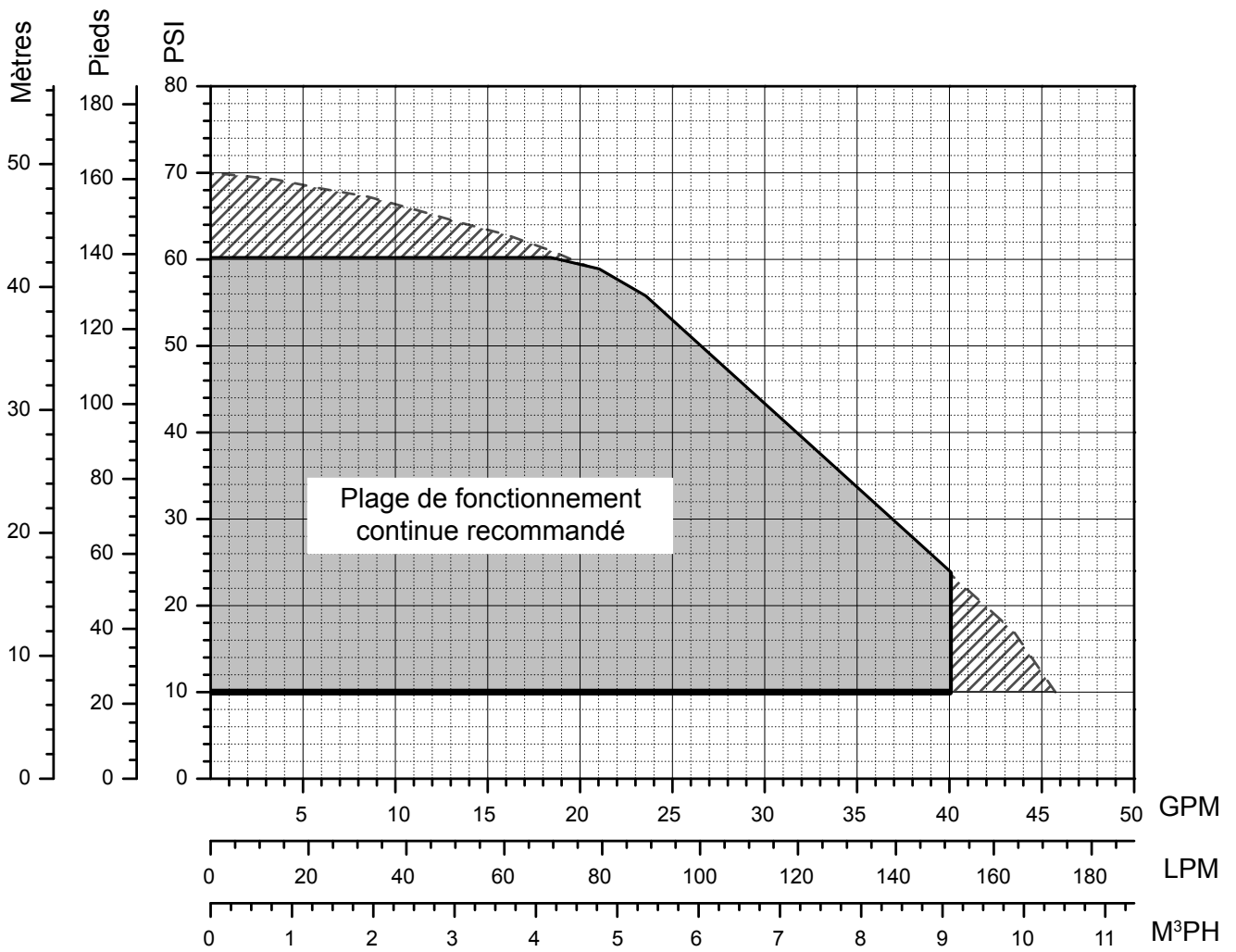


## DÉPANNAGE



NOMBRE DE CLIGNOTEMENTS	DEFAUT	RAISONS POSSIBLES	ACTION CORRECTIVE
<b>Lumière Jaune</b>	SOUS-CHARGE MOTEUR	Pas d'eau Eau Insuffisante Vortex (application de Citerne) Poche d'air	La pompe fonctionne à sec vérifiez la source d'eau. Restreignez le refoulement de pompe pour éviter la cavitation. Augmentez le niveau d'eau minimum dans la citerne.
<b>2</b>	SOUS-TENSION	Basse tension de secteur Fils électrique d'entrée mal branchés	La tension composée est basse, plus basse que approximativement 190 VCA. Vérifiez les branchements d'alimentation entrants et corrigez ou reserrez si nécessaire.
<b>3</b>	POMPE BLOQUÉE	Bruit de trainée du moteur et/ou pompe Abrasifs ou débris dans la pompe.	Vérifiez la pompe pour voir s'il y a des dommages externes comme une brèche dans la coque. Rincez les débris de la pompe et ajoutez l'écran d'entrée.
<b>4</b>	N/A		
<b>5</b>	CIRCUIT DU MOTEUR OUVERT	Connexion de moteur lâche	Les fils au moteur sont en circuit ouvert. Vérifiez la connexion de moteur.
<b>6</b>	COURT-CIRCUIT	Quand le défaut est indiqué immédiatement après mise sous tension Court-circuit en raison d'un fil défectueux au moteur ou au contrôleur	Vérifiez les connexions de moteur. Remplacez le contrôleur ou le moteur.
<b>7</b>	MECANISME D'ENTRAÎNEMENT SURCHAUFFÉ	Température ambiante élevée Mauvaise ventilation Dissipateur thermique bloqué	La température ambiante a dépassé 104°F (40°C). Protégez de la lumière directe du soleil. Assurez-vous que la température de l'air autour du contrôleur ne dépasse pas 104°F (40°C). Enlevez les débris des ailettes du dissipateur thermique.
<b>8</b>	SURPRESSION	Capteur d'Arrêt ouvert Réservoir Saturé d'Eau Réglage de pression trop près de la pression du capteur d'arrêt	Vérifiez pour voir s'il y a des connexions sur le capteur d'arrêt et les borniers d'entraînement. Vérifiez la pression du réservoir. Un réservoir saturé d'eau peut causer un pic de pression qui actionne le capteur d'arrêt. Réduisez le réglage de pression de réseau à une valeur inférieure à la pression de capteur d'arrêt.
<b>RAPID (RAPIDE)</b>	ERREUR INTERNE	Une erreur interne a été détectée dans le contrôleur.	Contactez un fournisseur de service professionnel.

# ANNEXE 1 - COURBES DE RENDEMENT DE RÉSEAU EN LIGNE



## ANNEXE 2 - TABLEAUX DE PERTE DE FRICTION

**Remarque :** Le graphique montre la perte par friction pour chaque 100' du tuyau. Pour convertir la perte de friction par pied, déplacez le point décimal de deux espaces vers la gauche.

1"

Tuyau série 40 1,049 po D. int. / tube en cuivre de type L 1,025 po D. int.					
GPM	Vitesse Ft/S	Pertes par frottement Ft Hd./100' du tuyau		Vitesse Ft/S	pieds/30m/ 100' de tuyau Perte par frottements C=130
		Acier C=100	PVC C=140		
2.0	0.74	0.60	0.32	.078	0.41
3.0	1.11	1.26	0.68	1.17	0.87
4.0	1.49	2.14	1.15	1.56	1.48
5.0	1.86	3.24	1.75	1.95	2.23
6.0	2.23	4.54	2.45	2.34	3.13
8.0	2.97	7.73	4.16	3.11	5.35
10	3.71	11.7	6.31	3.89	8.08
12	4.46	16.4	8.85	4.67	11.3
14	5.20	21.8	11.8	5.45	15.0
16	5.94	27.9	15.1	6.22	19.2
18	6.68	34.7	18.7	7.00	23.9
20	7.43	42.1	22.8	7.78	29.0
25	9.29	63.6	34.6	9.74	43.9
30	11.1	89.2	48.1	11.7	61.4
40	14.9	152	82.0	15.5	105

1-1/4"

Tuyau série 40 1,380 po D. int. / tube en cuivre de type L 1,265 po D. int.					
GPM	Vitesse Ft/S	Pertes par frottement Ft Hd./100' du tuyau		Vitesse Ft/S	pieds/30m/ 100' de tuyau Perte par frottements C=130
		Acier C=100	PVC C=140		
4.0	0.86	0.56	0.30	1.02	0.52
6.0	1.29	1.20	0.65	1.53	1.12
8.0	1.72	2.04	1.10	2.04	1.92
10	2.15	3.08	1.67	2.55	2.90
12	2.57	4.31	2.33	3.06	4.04
14	2.00	5.73	3.10	3.57	5.35
16	3.43	7.34	3.96	4.08	6.85
18	3.86	9.13	4.93	4.59	8.52
20	4.29	11.1	6.00	5.10	10.4
25	5.36	16.8	9.06	6.38	15.7
30	6.43	23.5	12.7	7.65	22.1
40	8.58	40.0	21.6	10.2	37.6
50	10.7	60.4	32.6	12.8	56.7
60	12.9	84.7	45.6	15.3	79.5
80	17.2	144	77.9	20.4	136

1-1/2"

Tuyau série 40 1,610 po D. int. / tube en cuivre de type L 1,505 po D. int.					
GPM	Vitesse Ft/S	Pertes par frottement Ft Hd./100' du tuyau		Vitesse Ft/S	pieds/30m/ 100' de tuyau Perte par frottements C=130
		Acier C=100	PVC C=140		
6.0	0.95	0.57	0.31	1.08	0.49
8.0	1.26	0.96	0.52	1.44	0.82
10	1.58	1.45	0.79	1.80	1.24
12	1.89	2.04	1.10	2.16	1.73
15	2.36	2.95	1.59	2.70	2.62
20	3.15	5.24	2.83	3.60	4.46
25	3.94	7.90	4.26	4.51	6.74
30	4.73	11.1	6.00	5.41	9.44
40	6.30	18.9	10.2	7.21	16.1
50	7.88	28.5	15.4	9.01	24.3
60	9.46	40.0	21.6	10.8	34.1
70	11.0	53.2	28.7	12.6	45.5
80	12.6	68.1	36.8	14.4	58.1
90	14.2	84.7	45.7	16.2	72.1
100	15.8	103	56.6	18.0	87.7

2"

Tuyau série 40 2,067 po D. int. / tube en cuivre de type L 1,985 po D. int.					
GPM	Vitesse Ft/S	Pertes par frottement Ft Hd./100' du tuyau		Vitesse Ft/S	pieds/30m/ 100' de tuyau Perte par frottements C=130
		Acier C=100	PVC C=140		
10	0.96	0.43	0.23	1.07	0.35
15	1.44	0.92	0.50	1.60	.075
20	1.91	1.55	0.84	2.13	1.24
25	2.39	2.35	1.27	2.66	1.87
30	2.87	3.29	1.78	3.19	2.62
40	3.82	5.60	3.03	4.26	4.48
50	4.78	8.46	4.57	5.32	6.76
60	5.74	11.9	6.44	6.39	9.47
70	6.69	15.8	8.53	7.45	12.6
80	7.65	20.2	10.9	8.52	16.2
90	8.61	25.1	13.6	9.58	20.0
100	9.56	30.5	16.5	10.7	24.4
120	11.5	42.7	23.1	12.8	34.1
150	14.3	64.7	35.0	16.0	51.6
200	19.1	110	59.4	21.3	87.8

# GARANTIE LIMITÉE\*

## CETTE GARANTIE ÉNONCE LA SEULE OBLIGATION DE L'ENTREPRISE ET LE RECOURS EXCLUSIF DE L'ACHETEUR POUR LE PRODUIT DÉFECTUEUX.

Franklin Electric Company, Inc. et ses filiales (ci-après « la Société ») garantit que les produits accompagnés par cette garantie sont sans défauts de matière ou de fabrication de la Société.

La Société a le droit d'inspecter tout produit retourné sous garantie pour confirmer que le produit contient un défaut de matière ou de fabrication. La Société a le droit exclusif de choisir de réparer ou de remplacer du matériel, des pièces, ou des composants défectueux.

L'acheteur doit retourner le produit au lieu d'achat pour la contrepartie de garantie. Sous réserve des modalités et conditions énumérées ci-dessous, la Société s'engage à réparer ou à remplacer à l'acheteur toute partie de ce produit qui s'avère défectueuse en raison de matière ou de fabrication de la Société.

La Société tiendra compte des produits pour la garantie pendant 12 mois à compter de la date d'installation ou pendant 24 mois à compter de la date de fabrication, selon la première éventualité.

La Société ne sera EN AUCUN CAS tenue responsable pour les coûts du travail sur terrain ou autres frais encourus par un client concernant l'enlèvement et/ou l'apposition d'un produit, d'une partie ou d'un composant de celui-ci.

La Société se réserve le droit de modifier ou d'améliorer ses produits ou toutes parties de ceux-ci sans être obligé de fournir un tel changement ou une telle amélioration à des produits déjà vendus.

CETTE GARANTIE NE S'APPLIQUE PAS AUX produits endommagés par des cas de force majeure. Cela comprend la foudre, l'usure normale, des services d'entretien normaux et les pièces utilisées dans le cadre d'un tel service, ou toutes autres conditions au-delà du contrôle de la Société.

CETTE GARANTIE SERA IMMEDIATEMENT NULLE si l'une des conditions suivantes se matérialise :

1. Le produit est utilisé à des fins autres que celles pour lesquelles il a été conçu et fabriqué ;
2. Le produit n'a pas été installé conformément aux codes, ordonnances et bonnes pratiques commerciales applicables ;
3. Le produit n'a pas été installé par un Entrepreneur Certifié de Franklin ou Programme pour installateurs clés ; ou
4. Le produit a été endommagé par suite de négligence, d'abus, d'accident, de mauvaise application, d'altération, de modification, de mauvaise installation, de fonctionnement, d'entretien ou de stockage, ou pour cause d'excès de maximums recommandés énoncés dans la notice du produit.

NI LE VENDEUR NI LA SOCIETE NE SERA RESPONSABLE POUR TOUT PRÉJUDICE, PERTES OU AVARIES DIRECTES, ACCESSOIRES OU CORRÉLATIVES (Y COMPRIS, MAIS SANS LIMITATION, AUX AVARIES ACCESSOIRES OU CORRÉLATIVES POUR PERTE DE PROFITS, PERTE DE CHIFFRE D'AFFAIRES, BLESSURES A LA PERSONNE OU PROPRIÉTÉ, OU TOUTE AUTRE PERTE ACCESSOIRE OU CORRÉLATIVE), DÉCOULANT DE L'UTILISATION OU DE L'INCAPACITE D'UTILISER LE PRODUIT, ET L'ACHETEUR RECONNAÎT QU'AUCUN AUTRE RECOURS NE SERA DISPONIBLE.

LA GARANTIE ET LE RECOURS DÉCRITS DANS CETTE GARANTIE LIMITÉE SONT UNE GARANTIE ET UN RECOURS EXCLUSIFS ET TIENNENT LIEU DE TOUTE AUTRE GARANTIE OU RECOURS, EXPLICITE OU IMPLICITE, DESQUELS LES AUTRES GARANTIES ET RECOURS SONT FORMELLEMENT EXCLUS, Y COMPRIS, MAIS SANS S'Y LIMITER, QUE TOUTE GARANTIE IMPLICITE DE QUALITE MARCHANDE OU D'ADEQUATION A UN USAGE PARTICULIER, DANS LA MESURE OU CELA POURRAIT S'APPLIQUER A UN PRODUIT, EST LIMITÉE EN DURÉE AUX PÉRIODES DES GARANTIES EXPRESSES INDIQUEES CI-DESSUS.

AVIS DE NON-RESPONSABILITE : Les déclarations orales concernant le produit effectuée par le vendeur, la Société, les représentants ou toutes autres parties, ne constituent pas une garantie. L'acheteur ne doit pas s'y fier, et elles ne font pas partie du contrat de vente. La seule obligation du Vendeur et de la Société, et le seul recours de l'acheteur, doit être le remplacement et/ou la réparation, par la Société, du produit tel que décrit ci-dessus. Avant l'utilisation, l'utilisateur doit déterminer l'aptitude du produit pour son utilisation prévue, et l'utilisateur assume tous les risques et la responsabilité dans n'importe quel cadre avec lequel le produit sera associé.

Certains états et pays n'autorisent pas l'exclusion ou la limitation de la durée d'une garantie implicite ou l'exclusion ou la limitation des dommages fortuits ou corrélatifs, de sorte que les limitations ou exclusions ci-dessus peuvent ne pas s'appliquer à vous. Cette garantie vous donne des droits légaux spécifiques, et vous pouvez également avoir d'autres droits qui varient d'un état à l'autre et d'un pays à l'autre.

\* Veuillez vous adresser à la section des exportations de Franklin Electric Co., Inc. pour des renseignements concernant la garantie internationale.



225883101,3

10/10



**Franklin Electric**

400 East Spring Street, Bluffton, IN 46714

Tél : 260.824.2900 Télécopieur : 260.824.2909

[www.franklin-electric.com](http://www.franklin-electric.com)